

Features and Benefits

Euromod is a modular range of outlets, plates & connectors designed for use in different countries. In addition to the existing range of Euromod modules for use with copper media, Molex Premise Networks also provide an extensive range of solutions for Fibre Optic applications.

These modules can be mounted in:

- Any Euromod compatible outlet
- WM12 Wall box
- MMI

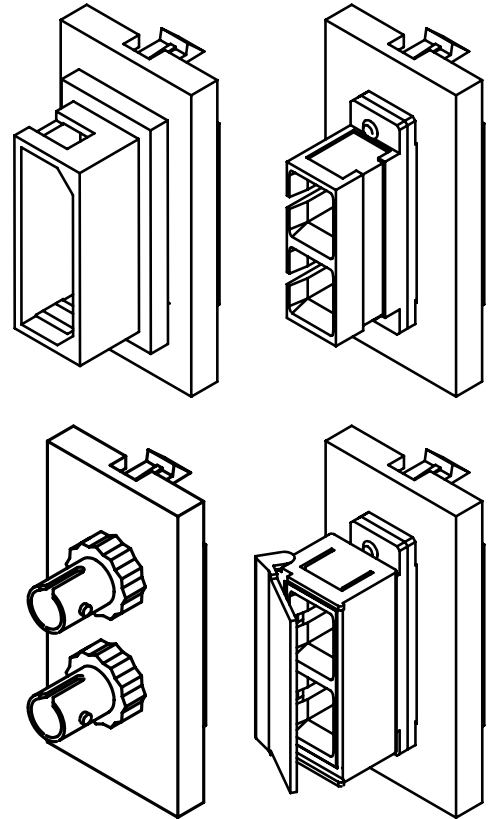
Note: The Duplex SC shuttered version is highly recommended for Fibre to the desk (FTTD) applications.

- 25x50 mm module
- Euromod compatible
- Available with ST®, DuplexSC/ST®, DuplexSC, Duplex SC Shuttered and MT-RJ adapters
- Multimode & Singlemode configuration

Dimensions:

Half module = 25 x 50mm

Shipping Weight: <22g



ORDERING INFORMATION

| Order No. | SAP No. | Description |
|--------------|---------------|--|
| 17.A0342 | Consult Molex | Euromod ST® Fibre Module, Singlemode - 2 Adapters |
| 17.0423-02 | Consult Molex | Euromod ST® Fibre Module, Multimode - 2 Adapters |
| 17.A0162 | Consult Molex | Euromod Duplex SC Fibre Module, Multimode - 1 Adapter |
| 17.A0172 | Consult Molex | Euromod Duplex SC Fibre Module, Singlemode - 1 Adapter |
| 17.A0182 | Consult Molex | Euromod Duplex SC/ST® Fibre Module, Multimode - 1 Adapter |
| 17.A0192 | Consult Molex | Euromod Duplex SC/ST® Fibre Module, Singlemode - 1 Adapter |
| 17.A0202 | Consult Molex | Euromod Duplex SC Shuttered Fibre Module, Multimode - 1 Adapter |
| 17.A0212 | Consult Molex | Euromod Duplex SC Shuttered Fibre Module, Singlemode - 1 Adapter |
| 17.A0222 | Consult Molex | Euromod Duplex SC/ST® Shuttered Fibre Module, Multimode - 1 Adapter |
| 17.A0232 | Consult Molex | Euromod Duplex SC/ST® Shuttered Fibre Module, Singlemode - 1 Adapter |
| MEU-00032-02 | Consult Molex | Euromod MTRJ 4 Fibre Module, Multimode & Singlemode - 2 Adapters |

MOLEX PREMISE NETWORKS

Americas
Tel: 630 969 4550
www.molexpn.com

EMEA
Tel: 44 (0)2392 205800
www.molexpn.co.uk

APAC
Tel: 61 3 9971 7111
www.molexpn.com.au