

Features and Benefits

PDS Termination Blocks are available in 100 Pair and 300 Pair block versions and are the key components in a wall mount Premise Distribution System (PDS).

The solidly constructed blocks include wiring strips that are marked to quickly identify 5-pair groups when lacing 25-pair backbone cable and designation strips which are marked for 1, 2, 4 and 5-pair connectors. Designation strips are available in multiple colors to ease identification of specific sections of the PDS installation.

The PDS Termination Blocks are designed to accept the Molex 110 Style IDC Connectors (C4 & C5).

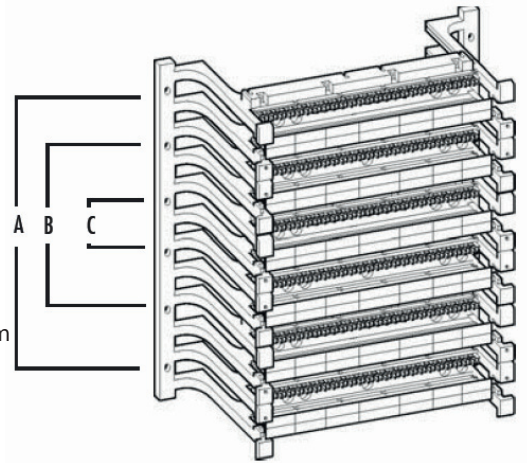
Technical Information

Mechanical Characteristics

Panel: Black Flame Retardant

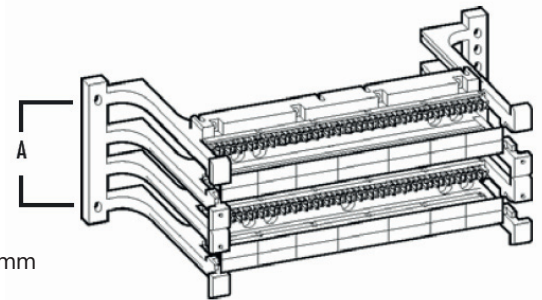
- A = 252 mm (9")
- B = 151 mm (5.38")
- C = 49 mm (1.75")

300 Pair Block with Legs
 Dimensions: 273mm x 267mm x 89mm
 (10.75"W x 10.5"H x 3.5"D)
 Shipping Weight: 644g (1 lb. 7 oz.)



- A = 49 mm (1.75")

100 Pair Block with Legs
 Dimensions: 273mm x 89mm x 89mm
 (10.75"W x 3.5"H x 3.5"D)
 Shipping Weight: 364g (13 oz.)



ORDERING INFORMATION

Order No.	SAP No.	Description
KPD-00026	Consult Molex	100 Pair Block (no legs)
KPD-00027	Consult Molex	100 Park Block with Legs
KPD-00028	Consult Molex	300 Pair Block
KPD-00053	Consult Molex	1U Ring Run
Accessories		
KPD-00058	Consult Molex	C4 110 IDC Connector
KPD-00059	Consult Molex	C5 110 IDC Connector
36.B0160	Consult Molex	Designation Labels, Purple - Bag of 100
36.B0170	Consult Molex	Designation Labels, Grey - Bag of 100
36.B0180	Consult Molex	Designation Labels, Blue - Bag of 100
36.B0190	Consult Molex	Designation Labels, Brown - Bag of 100

MOLEX PREMISE NETWORKS

Americas
 Tel: 630 969 4550
 www.molexpn.com

EMEA
 Tel: 44 (0)2392 205800
 www.molexpn.co.uk

APAC
 Tel: 61 3 9971 7111
 www.molexpn.com.au