

IP8132

Fixed Network Camera

H.264 • Privacy Button • Compact Design



VIVOTEK IP8132(Wired)/33(PoE)/33W(Wireless) is an easy-to-use network camera specifically designed for home security applications with a compact, stylish exterior. Equipped with a 1MP sensor enabling viewing resolution of 1280x800 at 30 fps, users need look no further for an all-in-one camera capable of capturing high quality, high resolution video.

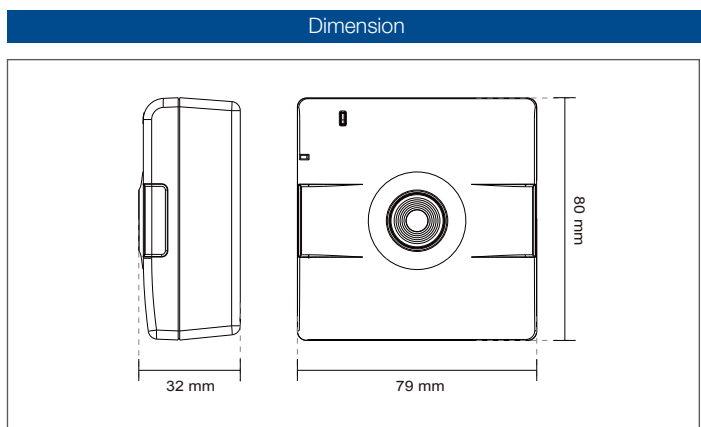
Embedded with the multimedia SoC, the camera supports the industry-standard H.264 compression technology, drastically reducing file sizes and conserving valuable network bandwidth. With MPEG-4 and MJPEG compatibility also included, video streams can also be transmitted in any of these formats for versatile applications. The streams can also be individually configured to meet different constraints, thereby further reducing bandwidth and storage requirements. Users can thus receive multiple streams simultaneously in different resolutions, frame rates, and image qualities for viewing on different platforms.

With this network camera, a user can quickly and easily view children, the elderly, or even pets with live, clear videos while away from home. The camera also includes tamper detection, and VIVOTEK's 32-channel recording software. With all this and more, the IP8132/33/33W is the ideal solution for your surveillance needs.

Features

- > 1-Megapixel CMOS Sensor
- > Real-time H.264, MPEG-4 and MJPEG Compression (Triple Codec)
- > Privacy Button to Pause Monitoring
- > Tamper Detection for Unauthorized Changes
- > Compact, Elegant Design

Lens	<ul style="list-style-type: none"> · Board lens, Fixed, f = 3.45 mm, F2.4 	Security	<ul style="list-style-type: none"> · Multi-level user access with password protection · IP address filtering · HTTPS encrypted data transmission
Field of View	<ul style="list-style-type: none"> · 57.8° (horizontal) · 37.8° (vertical) · 66° (diagonal) 	Users	<ul style="list-style-type: none"> · Live viewing for up to 10 clients
Shutter Time	<ul style="list-style-type: none"> · 1/15 sec. to 1/25,000 sec. 	Dimension	<ul style="list-style-type: none"> · 32 mm (D) x 79 mm (W) x 80 mm (H)
Image Sensor	<ul style="list-style-type: none"> · 1/4" CMOS sensor in 1280x800 resolution 	Weight	<ul style="list-style-type: none"> · Net: 180 g
Minimum Illumination	<ul style="list-style-type: none"> · 3.0 Lux @ F2.4 	LED Indicator	<ul style="list-style-type: none"> · System power and status indicator · System activity and network link indicator · Privacy button on
Video	<ul style="list-style-type: none"> · Compression: H.264, MJPEG & MPEG-4 · Streaming: <ul style="list-style-type: none"> Multiple simultaneous streams H.264 streaming over UDP, TCP, HTTP or HTTPS MPEG-4 streaming over UDP, TCP, HTTP or HTTPS MPEG-4 multicast streaming MJPEG streaming over HTTP or HTTPS · Supports activity adaptive streaming for dynamic frame rate control · Supports 3GPP mobile surveillance · Frame rates: <ul style="list-style-type: none"> H.264: Up to 30 fps at 1280x800 MPEG-4: Up to 23 fps at 1280x800 MJPEG: Up to 30 fps at 1280x800 	Power	<ul style="list-style-type: none"> · 5V DC · Power consumption: Max. 3.4 W
Image Settings	<ul style="list-style-type: none"> · Adjustable image size, quality and bit rate · Time stamp and text caption overlay · Flip & mirror · Configurable brightness, contrast, saturation, sharpness, white balance and exposure · AGC, AWB, AES · BLC (Backlight Compensation) · Supports privacy masks 	Approvals	<ul style="list-style-type: none"> · CE, LVD, FCC, VCCI, C-Tick
Audio	<ul style="list-style-type: none"> · Compression: <ul style="list-style-type: none"> GSM-AMR speech encoding, bit rate: 4.75 kbps to 12.2 kbps G.711 audio encoding, bit rate: 64 kbps, μ-Law or A-Law mode selectable · Interface: <ul style="list-style-type: none"> Built-in microphone · Supports audio mute 	Operating Environments	<ul style="list-style-type: none"> · Temperature: 0 ~ 40° C (32 ~ 104° F) · Humidity: 90% RH
Networking	<ul style="list-style-type: none"> · 10/100 Mbps Ethernet, RJ-45 · Onvif support · Protocols: IPv4, IPv6, TCP/IP, HTTP, HTTPS, UPnP, RTSP/RTMP/RTCP, IGMP, SMTP, FTP, DHCP, NTP, DNS, DDNS, PPPoE, CoS, QoS, and SNMP 	Viewing System Requirements	<ul style="list-style-type: none"> · OS: Microsoft Windows 7/Vista/XP/2000 · Browser: Mozilla Firefox, Internet Explorer 6.x or above · Cell phone: 3GPP player · Real Player: 10.5 or above · Quick Time: 6.5 or above
Alarm and Event Management	<ul style="list-style-type: none"> · Triple-window video motion detection · Tamper detection · One D/I and one D/O for external sensor and alarm · Event notification using HTTP, SMTP or FTP · Local recording of MP4 file 	Installation, Management, and Maintenance	<ul style="list-style-type: none"> · Installation Wizard 2 · 32-CH ST7501 recording software · Supports firmware upgrade
		Applications	<ul style="list-style-type: none"> · SDK available for application development and system integration
		Warranty	<ul style="list-style-type: none"> · 24 months



All specifications are subject to change without notice. Copyright © 2011 VIVOTEK INC. All rights reserved.

Distributed by:



VIVOTEK INC.
 6F, No.192, Lien-Cheng Rd., Chung-Ho, New Taipei City, 235, Taiwan, R.O.C.
 | T: +886-2-82455282 | F: +886-2-82455532 | E: sales@vivotek.com

VIVOTEK USA, INC.
 2050 Ringwood Avenue, San Jose, CA 95131
 | T: 408-773-8686 | F: 408-773-8298 | E: salesusa@vivotek.com