

Features and Benefits

The Open Bay Rack provides central placement of communications cabling and equipment. The rack features 44U rack mounting positions, each 1.75" in height. Cross bracing is provided for top and bottom.

The open bay design provides easy access for installation and maintenance. Incoming cables are terminated on the back, separating them from cross connects installed on the front.

The Mod Strut II Mounting Kit (purchased separately) adds extra stability to the Open Bay Rack. The kit includes adjustable wall braces and hardware to mount distribution frames to a fixed wall.

- Mounting Holes: EIA spaced #12-24 tapped on both front and rear flanges 44 rack mounting positions
- Panel Space: 1956mm x 483mm (77"H x 19"W)
- Accommodates Molex Premise Networks Cable Management Rings (purchased separately)

Reference Information

Parts List for Open Bay Rack

- Open Bay Rack
- Hardware Kit
- Assembly Instructions

Parts List for Mod Strut II Mounting Kit

- Mod Strut II
- Hardware Kit
- Assembly Instructions

Technical Information

Dimensions

2134mm x 518mm x 381mm
 84"H x 20.4"W x 15"D
 Shipping Weight: 21kg (46lbs)

Dimensions (adjustable): 521 - 813mm
 20.5 - 32"D

Shipping Weight: 3.6kg (8lbs)

Material

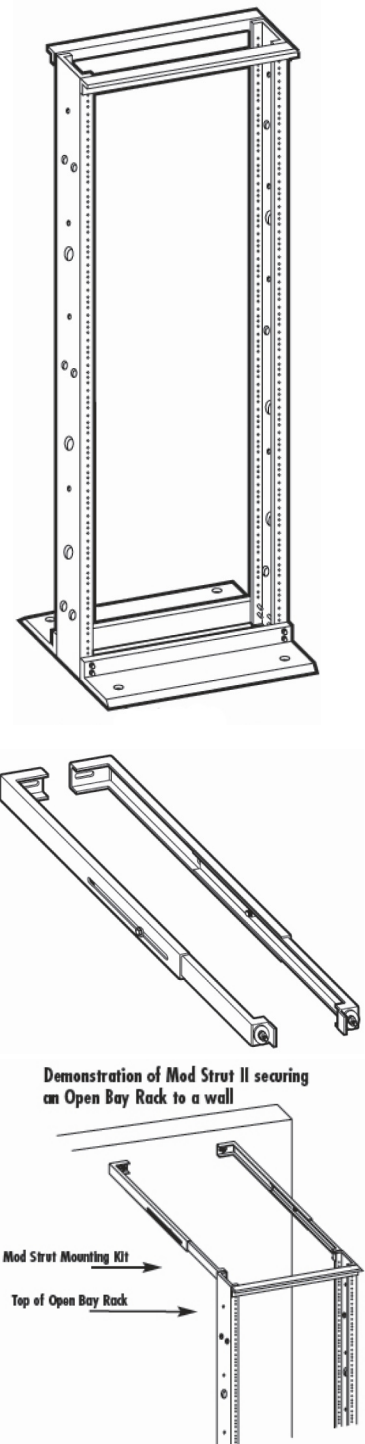
Open Bay Rack: Aluminum (6063-T6)
 Mod Strut II: Cold rolled steel (11AWG)
Finish: Black powder coat (RAL 9005)

Open Bay Rack Load Rating:

1,000lb (453.6 kg)

Industry Standards

UL 1863 listed, File No. E230874
 cUL CSA22.2 No. 182.4, File No. E230874
 EIA 310-D



ORDERING INFORMATION

Order No.	SAP No.	Description
RAA-00002	Consult Molex	Open Bay Rack 44U
Accessories		
RAA-00003	Consult Molex	Mod Strut II Mounting Kit

MOLEX PREMISE NETWORKS

Americas
 Tel: 630 969 4550
 www.molexces.com

EMEA
 Tel: 44 (0)2392 205800
 www.molexces.co.uk

APAC
 Tel: 61 3 9971 7111
 www.molexces.com