

Features and Benefits

The Universal Splice Tray is a configurable enclosure for both mechanical and fusion splices. The tray is supplied with two fusion splice sleeves and two mechanical splice sleeves.

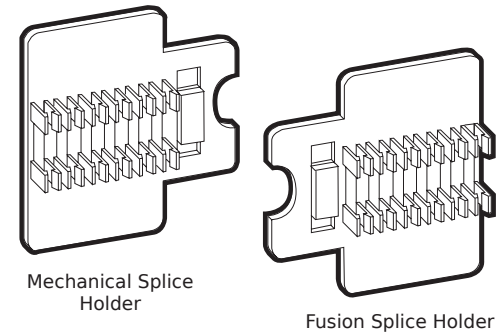
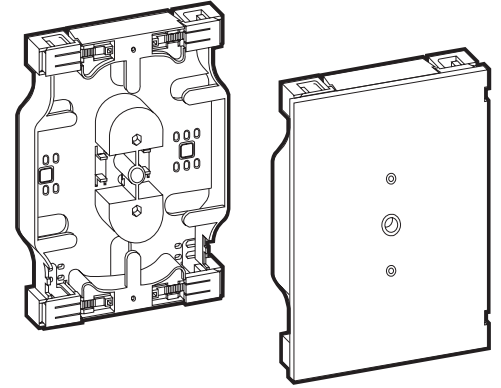
Loose tube cable is routed into and out of the tray through adjustable tube grips located at each corner. The tube grips eliminate the need for separate cable ties and are easily tightened and loosened in order to prevent overcompression of the loose tube cable.

- Two splice tray versions available.
 - 12 Fibre Splice Tray
 - 24 Fibre Splice Tray
- Allows for easy tightening and loosening which prevents over-compression of the fibre cable
- Fibre is routed through unique adjustable tube grips at each corner, eliminating the need for separate cable ties

Technical Information

Mechanical Characteristics

Material: Moulded ABS
 Shipping weight: 3.5 oz. (99g)
 Dimension: 95mm W x 143mm H x 13mm D
 (3.75" x 5.625" x 0.5")



Mechanical Splice Holder

Fusion Splice Holder

ORDERING INFORMATION

| Order No. | SAP No. | Description |
|-----------|---------------|-----------------------------------|
| AFR-00001 | Consult Molex | Universal Splice Tray - 12 Fibres |
| AFR-00334 | Consult Molex | 5 Fibre Mechanical Splice Holder |
| AFR-00335 | Consult Molex | 6 Fibre Fusion Splice Holder |
| AFR-00336 | Consult Molex | Universal Splice Tray - 24 Fibres |
| AFR-00337 | Consult Molex | 12 Fibre Fusion Splice Holder |
| AFR-00338 | Consult Molex | Universal Splice Tray - Unloaded |

MOLEX PREMISE NETWORKS

Americas
 Tel: 630 969 4550
 www.molexpn.com

EMEA
 Tel: 44 (0)2392 205800
 www.molexpn.co.uk

APAC
 Tel: 61 3 9971 7111
 www.molexpn.com.au