

# PowerCat 6A Shielded Jack

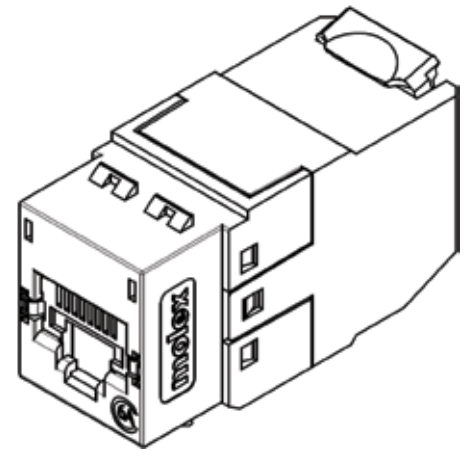
**molex**

## The Molex PowerCat 6A DataGate Shielded Jack is a key component of the PowerCat 6A shielded end-to-end solution.

The PowerCat 6A DataGate jack offers superior alien crosstalk suppression, excellent insertion loss, and provides enhanced electromagnetic interference (EMI) protection by utilizing robust die cast zinc alloy jack body housing. This shielded jack also features a unique spring loaded shutter that not only protects it from dust and contaminants, but the ingenious spring loaded design also ejects improperly seated patch cords. The shielded jack is dual colour coded for either 568A or 568B wiring schedules.

The PowerCat 6A DataGate Shielded Jack was specifically designed for highspeed 10GB data transmission. This unique modular jack is also backwards compatible with Shielded C6 and C5e systems.

Molex recommends that the full range of PowerCat 6A Shielded products be used in a end-to-end system to maximise cabling performance. This system is compliant with the ISO/IEC 11801 Amd 1 and TIA-568-C.2 requirements for the support of 10GBASE-T transmission.



## Features and Advantages

Robust die cast zinc alloy housing

Dual Colour coding allows 568A/B wiring

Patented IDC V-Shaped contacts that flex not fatigue when terminated

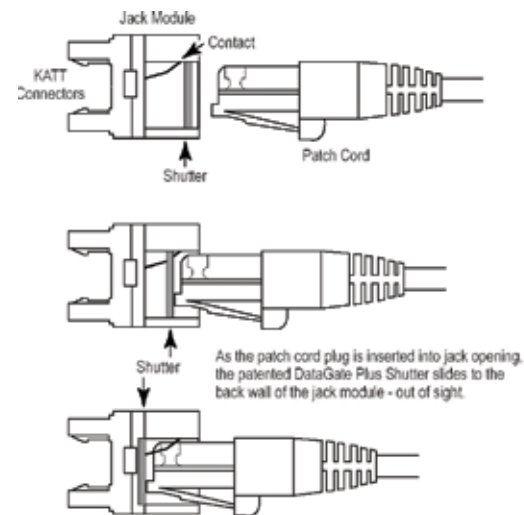
Spring-Loaded Shutter

Accepts colour coded port identification labels

Category 6A performance when installed as a complete PowerCat Shielded System

RoHS Compliant

Spring loaded cable/drain wire clamp



## Specifications

### MECHANICAL

RJ45 Connector

Housing: Zinc Alloy plated bright Ni/Cu

Operating Life: Minimum 750 insertion cycles

Contact Material: Copper Alloy

Contact Plating: 50µ Gold/ 50µ Nickel minimum

Contact Force: 100g minimum

Plug Retention Force: 6.8kg minimum

IDC Connector

Housing: Thermoplastic, UL94V-0

Operating Life: Minimum 20 reterminations

Contact Material: Copper Alloy

IDC Contact Plating: Matte Tin

Contact Force: 100g minimum

Wire Accommodation: 22-24 AWG solid

### ELECTRICAL

Interface Resistance: 20mΩ

Initial Contact Resistance: 2.5mΩ

Insulation Resistance: >100MΩ

### PHYSICAL

Minimum Backbox Depth Requirement: 44mm

Shipping Weight: 25g (0.88 oz)

Dimensions: 17.8mm(W) x 23.1mm(H) x 41.3mm(L)

### COMMERCIAL STANDARDS

TIA-568-C.2 Augmented Category 6

ISO 11801 Amd 1 Class EA

IEC 60603-7

ANSI/EIA-1069-A

Approvals

ETL independent testing

UL-1863 (for data use only)

[www.molex.com](http://www.molex.com)

Molex is a registered trademark of Molex, LLC in the United States of America and may be registered in other countries; all other trademarks listed herein belong to their respective owners. This information is correct at the time of publication, specifications are subject to change.

# PowerCat 6A Shielded Jack



## Ordering Information

Order No.	SAP No.	Description	Colour
KSJ-00062-02	Consult Molex	PowerCat 6A Shielded Jack RJ45 568A/B Shielded - White Shutter	White
KSJ-00062-04	Consult Molex	PowerCat 6A Shielded Jack RJ45 568A/B Shielded - Black Shutter	Black
KSJ-00062-08	Consult Molex	PowerCat 6A Shielded Jack RJ45 568A/B Shielded - Grey Shutter	Grey
KSJ-00062-YL	Consult Molex	PowerCat 6A Shielded Jack RJ45 568A/B Shielded - Yellow Shutter	Yellow
KSJ-00062-PP	Consult Molex	PowerCat 6A Shielded Jack RJ45 568A/B Shielded - Purple Shutter	Purple
KSJ-00062-GR	Consult Molex	PowerCat 6A Shielded Jack RJ45 568A/B Shielded - Green Shutter	Green

[www.molexces.com](http://www.molexces.com)

Molex is a registered trademark of Molex, LLC in the United States of America and may be registered in other countries; all other trademarks listed herein belong to their respective owners. This information is correct at the time of publication, specifications are subject to change.