

DH-IPC-HDB(W)5502-(DI)

5Megapixel Full HD Network Motorized IR Dome Camera



Features

- 1/2.5" 5Megapixel progressive scan CMOS
- H.264 & MJPEG dual-stream encoding
- Max 12fps@5M(2560×1920)&25/30fps@1080P(1920×1080)
- DWDR, Day/Night(ICR), 3DNR, Auto Iris, AWB, AGC, BLC
- Multiple network monitoring: Web viewer, CMS(DSS/PSS) & DMSS
- 4~9mm varifocal motorized lens
- Built-in 1/1 alarm in/out
- Max. IR LEDs length 20m
- Micro SD memory, IP66, IK10, PoE,

DH-IPC-HDB(W)5502-(DI)

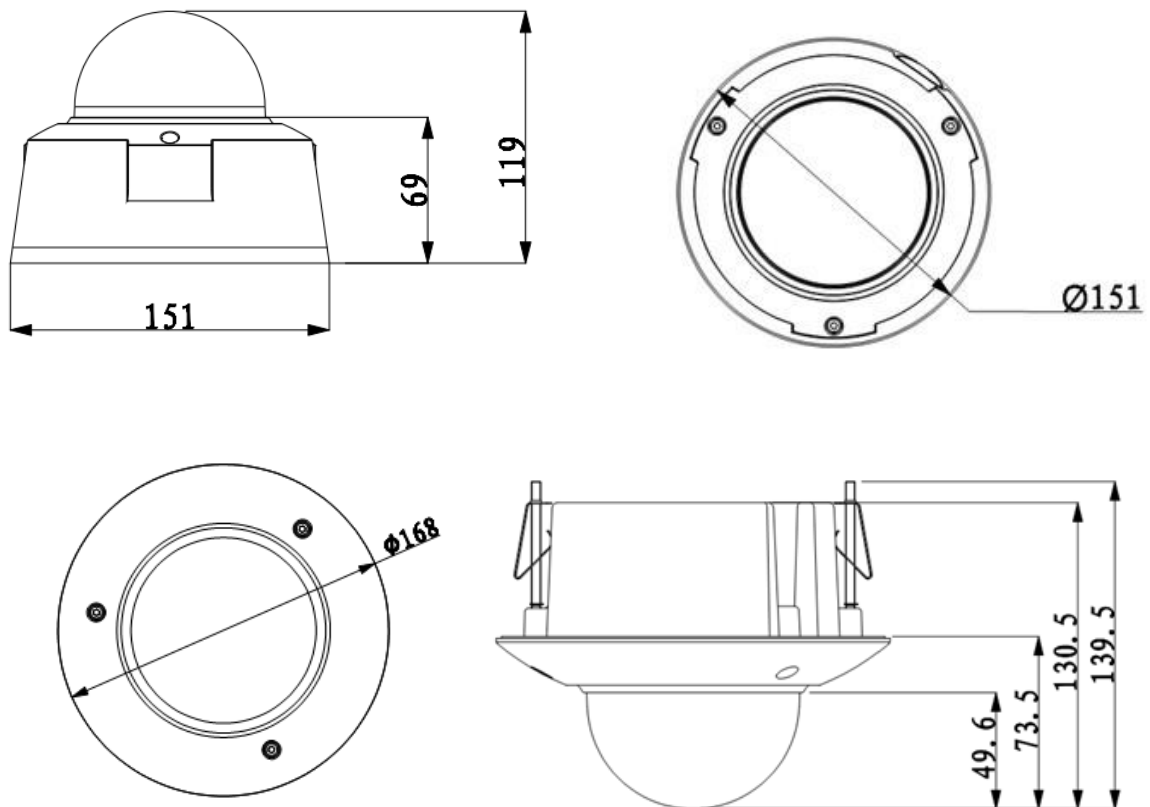
Technical Specifications

Model	IPC-HDB5502(-DI)	IPC-HDBW5502(-DI)
Camera		
Image Sensor	1/2.5" 5Megapixel CMOS	
Effective Pixels	2560(H)x1920(V)	
Scanning System	Progressive	
Electronic Shutter Speed	Auto/Manual, 1/3~1/10000	
Min. Illumination	Color: 0.01Lux/F1.6	
S/N Ratio	More than 50dB	
Video Output	1 channel, BNC(1.0Vp-p/75Ω)	
Camera Features		
Max. IR LEDs Length	N/A	20m
Day/Night	Auto(ICR) / Color / B/W	
Backlight Compensation	BLC / HLC / DWDR	
White Balance	Auto	
Gain Control	Auto/Manual	
Noise Reduction	3D	
Privacy Masking	Up to 4 areas	
Lens		
Focal Length	4~9mm motorized	
Max Aperture	F1.6	
Focus Control	Auto	
Angle of View	H: 86.5°(Wide)~28.6°(Tele)	
Lens Type	Motorized /Auto Iris(DC)	
Mount Type	Board-in Type	
Video		
Compression	H.264H/H.264B/H.264/MJPEG	
Resolution	5M(2536×1920)/3M(2048×1536)/1080P(1920×1080) / 720P(1280×720) / D1(704×576) / CIF(352×288)	
Frame Rate	Main Stream	5M(1~12fps)/1080P/720P(1~25/30fps)
	Sub Stream	D1/CIF(1 ~ 25/30fps)
Bit Rate	H.264H: 32K ~ 8192Kbps	
Audio		
Compression	G.711a / G.711u/ PCM	
Interface	1/1 channel In/Out	
Network		
Ethernet	RJ-45 (10/100Base-T)	
Wi-Fi	N/A	
Protocol	IPv4/IPv6, HTTP, HTTPS, SSL, TCP/IP, UDP, UPnP, ICMP, IGMP, SNMP, RTSP, RTP, SMTP, NTP, DHCP, DNS, PPPOE, DDNS, FTP, IP Filter, QoS, Bonjour	
Compatibility	ONVIF PSIA CGI	
Max. User Access	20 users	

DH-IPC-HDB(W)5502-(DI)

Smart Phone	iPhone, iPad, Android, Windows Phone
Auxiliary Interface	
Memory Slot	Micro SD, Max 64GB
RS485	N/A
Alarm	1/1 channel In/Out
PIR Sensor Range	N/A
General	
Power Supply	DC12V/AC24V, PoE(802.3af)
Power Consumption	<8.5W(AC24V: +2W)
Working Environment	-30°C~+60°C , Less than 90%RH
Ingress Protection	IP66
Vandal Resistance	IK10
Dimensions	Φ151mm×119mm Φ146mm×139.5mm(-DI)
Weight	1.25kg 1.18Kg(-DI)

Dimensions (mm)



DH-IPC-HDB(W)5502-(DI)

Accessories (optional)

				
PFA100	PFB302S	PFA132	PFA152	PFA151

Dahua Technology Co., Ltd.

1187 BinAn Road, Binjiang District, Hangzhou, China

Tel: +86-571-87688883

Fax: +86-571-87688815

Email: overseas@dahuatech.com

www.dahuatech.com

*Design and specifications are subject to change without notice.

© 2013 Dahua Technology Co., Ltd.