

## DH-IPC-HDB4300C(-A)

---

3 Megapixel Water-Proof & Vandal-Proof Network Dome Camera



### Features

- 1/3" 3Megapixel progressive scan Aptina CMOS
- H.264 & MJPEG dual-stream encoding
- Max 20fps@3M(2048×1536), 25/30fps@1080P
- Day/Night(Electronic), 3DNR, AWB,AGC,BLC
- Multiple network monitoring: Web viewer, CMS(DSS/PSS) & DMSS
- 3.6mm fixed lens (2.8mm,6mm optional)
- Micro SD memory, IP66, IK10, PoE

# DH-IPC-HDB4300C(-A)

## Technical Specifications

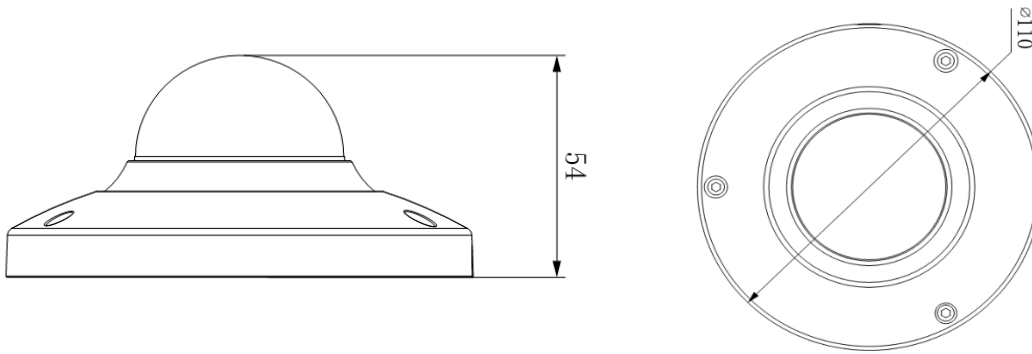
<b>Model</b>		<b>DH-IPC-HDB4300C(-A)</b>
<b>Camera</b>		
Image Sensor	1/3" 3Megapixel progressive scan CMOS	
Effective Pixels	2048(H)x1536(V)	
Scanning System	Progressive	
Electronic Shutter Speed	Auto/Manual 1/3(4)~1/10000	
Min. Illumination	0.1lux/F1.8(color)	
S/N Ratio	More than 50db	
Video Output	N/A	
<b>Camera Features</b>		
Max. IR LEDs Length	N/A	
Day/Night	Auto(Electronic)/Color/B/W	
Backlight Compensation	BLC/HLC/DWDR	
White Balance	Auto/Manual	
Gain Control	Auto/Manual	
Noise Reduction	3D	
Privacy Masking	Up to 4 areas	
<b>Lens</b>		
Focal Length	3.6mm (2.8mm,6mm optional)	
Max Aperture	F1.8(F2.0/F1.6)	
Focus Control	Manual	
Angle of View	H:72.5°(90°/44°)	
Lens Type	Fixed lens	
Mount Type	Board-in Type	
<b>Video</b>		
Compression	H.264/ MJPEG	
Resolution	3M(2048×1536)/1080P(1920×1080)/720P(1280×720)/D1(704×576 /704×480) / CIF(352×288/352×240)	
Frame Rate	Main Stream	3M(1~20fps)/1080P/720P(1 ~ 25/30fps)
	Sub Stream	D1/CIF(1 ~ 25/30fps)
Bit Rate	H.264: 32K ~ 8192Kbps	
<b>Audio</b>		
Compression	G.711a/G.711u/PCM(-A)	
Interface	Built-in Mic(-A)	
<b>Network</b>		
Ethernet	RJ-45 (10/100Base-T)	
Wi-Fi	N/A	
Protocol	IPv4/IPv6, HTTP, HTTPS, SSL, TCP/IP, UDP, UPnP, ICMP, IGMP, SNMP, RTSP, RTP, SMTP, NTP, DHCP, DNS, PPPOE, DDNS, FTP, IP Filter, QoS, Bonjour	
Compatibility	ONVIF,PSIA,CGI	
Max. User Access	20 users	

## DH-IPC-HDB4300C(-A)

Smart Phone	iPhone, iPad, Android, Windows Phone	
<b>Auxiliary Interface</b>		
Memory Slot	Micro SD, Max 64GB	
RS485	N/A	
Alarm	N/A	
PIR Sensor Range	N/A	
<b>General</b>		
Power Supply	DC12V	
Power Consumption	Max 3W	
Working Environment	-30°C~+60°C, Less than 95% RH	
Ingress Protection	IP66	N/A(-A)
Vandal Resistance	IK10	
Dimensions	Φ110mm×54mm	
Weight	0.25kg	

# DH-IPC-HDB4300C(-A)

## Dimensions (mm)



## Accessories (optional)

		
PFB200W	PFA131	PFA123

### Dahua Technology Co., Ltd.

1199 BinAn Road, Binjiang District, Hangzhou, China

Tel: +86-571-87688883

Fax: +86-571-87688815

Email: [overseas@dahuatech.com](mailto:overseas@dahuatech.com)

[www.dahuatechsecurity.com](http://www.dahuatechsecurity.com)

\*Design and specifications are subject to change without notice.

© 2014 Dahua Technology Co., Ltd.