

DH-PFA150

Pole Mount Bracket



Features

- Material: SECC
- Pole Mount Bracket
- Neat & Integrated design

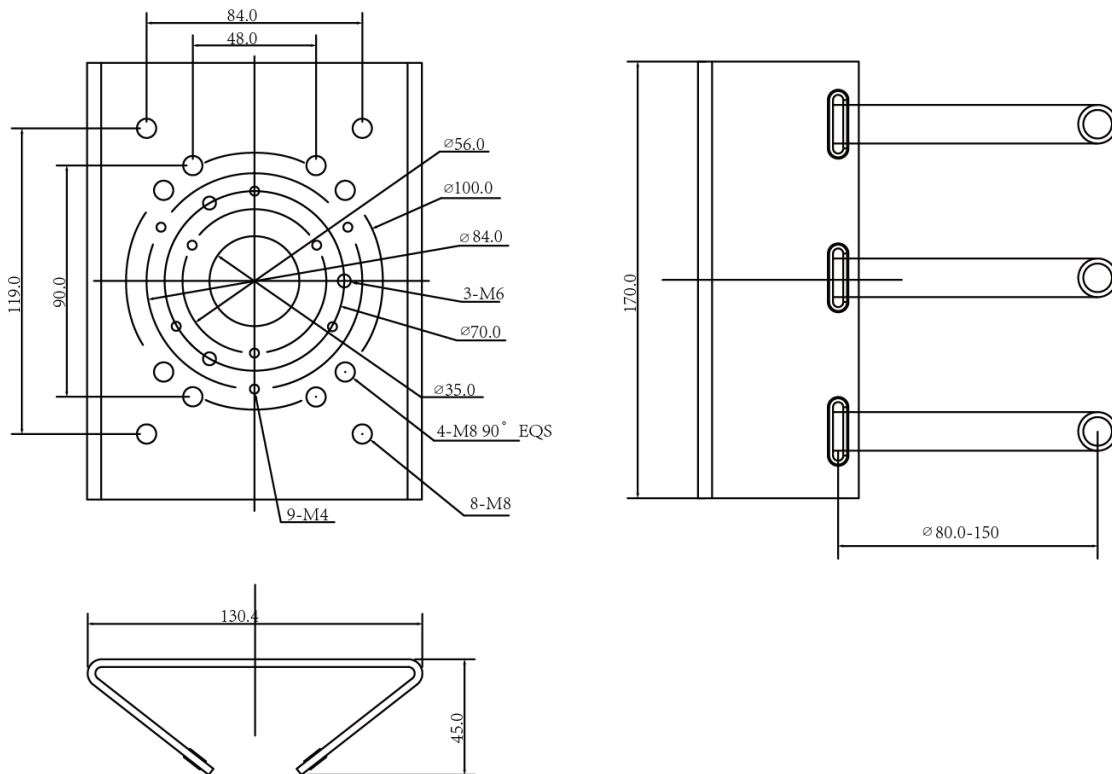
Technical Specifications

Model	PFA150
General	
Material	SECC
Dimension	130.4mmx170mmx45mm(5.13"x6.69"x1.77")
Mast Diameter	φ80~150mm(φ3.15"~5.91")
Pipe Thread	N/A
Operating Temperature	-40°C ~ +60°C(-40°F ~ +140°F)
Humidity	0~90% RH
Load Bearing	10.0kg(22.05lb)
Weight	1.1kg(2.43lb)
Applicable Model	Please see "Accessory Selection"

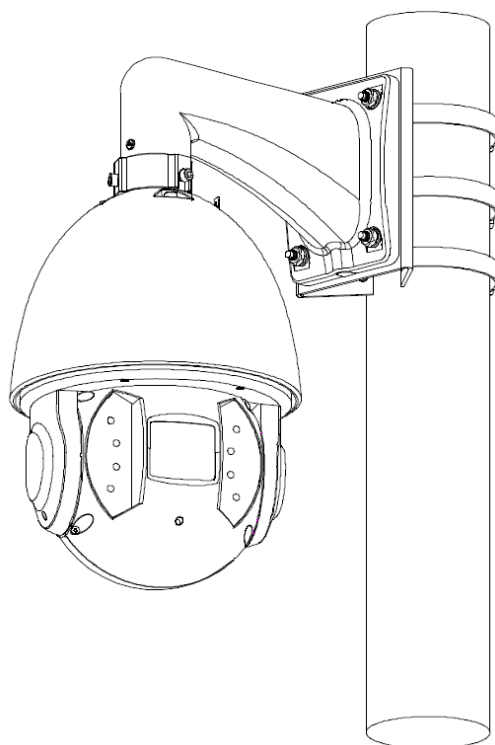
Order Information

Type	Part Number	Description
Camera mount	DH-PFA150	Pole mount bracket _ Dahua brand
	PFA150	Pole mount bracket _ Neutral, no brand

Dimensions (mm/inch)



Application



Package Information

- Pole mount bracket *1
- M8x25 screw *4
- Wrench *1
- 80~150mm metal Hoop: 3