

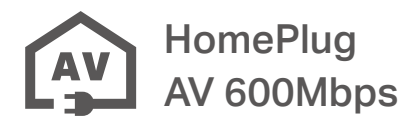


AV600 Passthrough Powerline Starter Kit

Smooth HD Streaming
on Multiple Devices



TL-PA4010P KIT



HomePlug
AV 600Mbps



One-Button
Security



Plug and play

Highlights

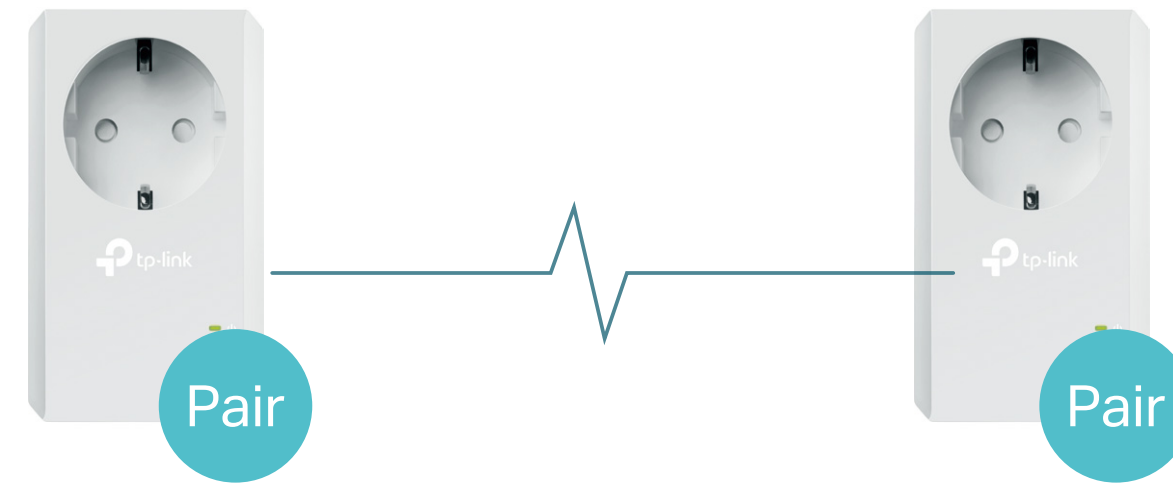
HomePlug AV Standard Compliant

The HomePlug AV standard creates high-speed data transfer rates of up to 600Mbps to support all your online activities.



One-Button Security

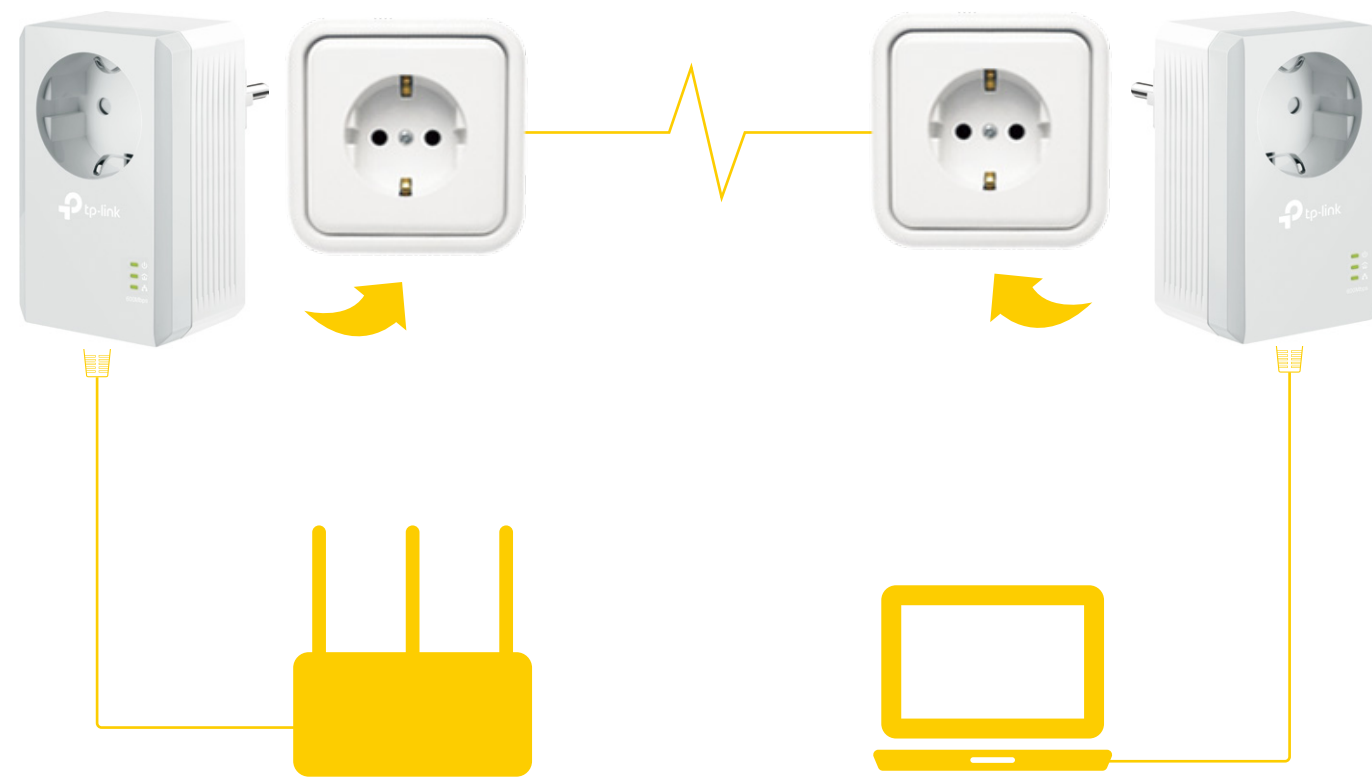
Simply push the Pair button on the adapters, and quickly set up a hassle-free powerline network.



Highlights

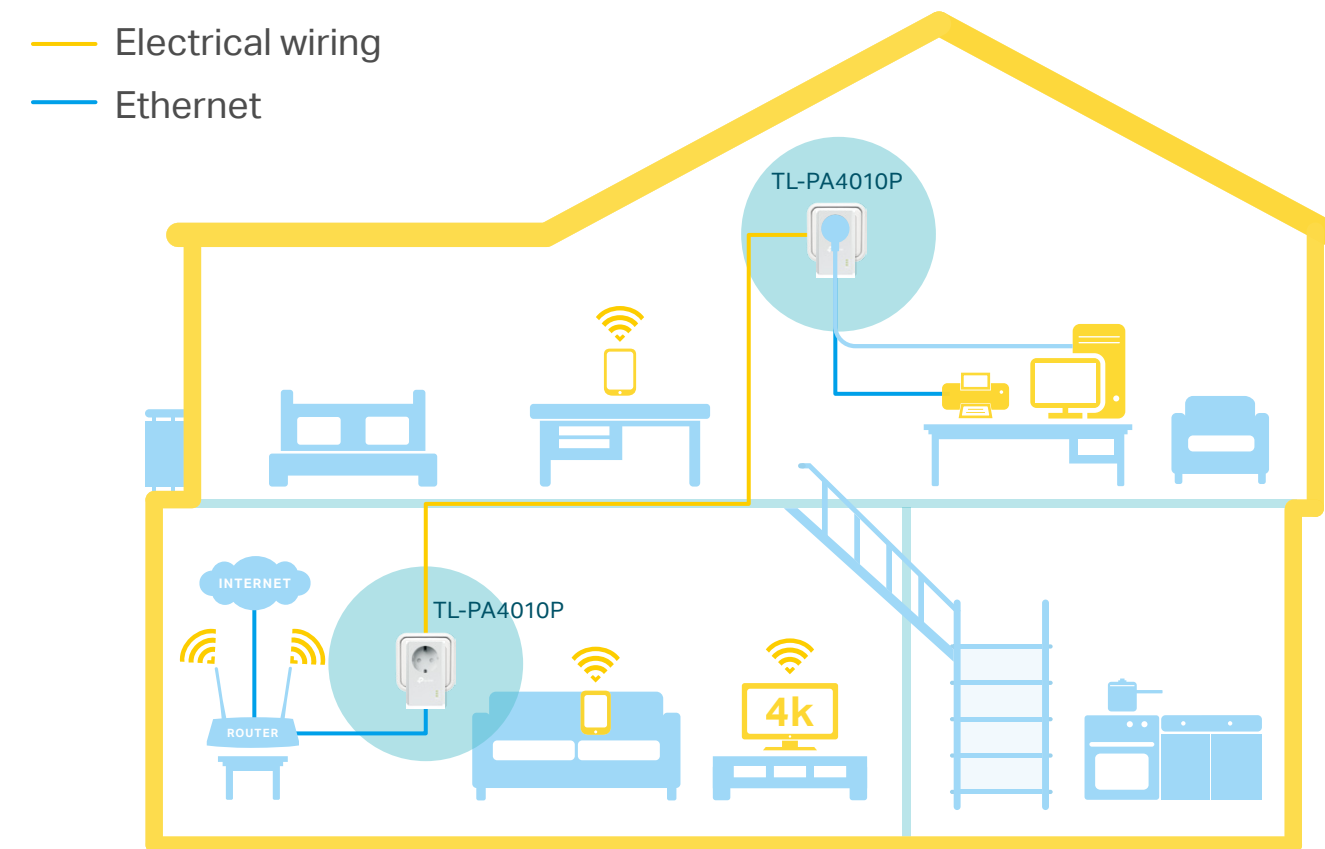
Plug and Play!

Powerline adapters and extenders must be deployed in a set of two or more. Simply plug them into wall outlets and enjoy the internet.



Internet from Any Outlet

The AV600 Passthrough Powerline Starter Kit brings internet to any area with a power outlet using your home's electrical wiring.



Features

Speed

- **Ultra-fast Powerline Speed** – HomePlug AV standard compliant, high-speed data transfer rate of up to 600Mbps, ideal for Ultra HD streaming and online gaming
- **Ethernet Port** – The Ethernet port allows your TV, game console or PC to connect to the internet at high speeds

Ease of Use

- **Plug and play** – Plug and play, no configuration required
- **No new wires** – No new wires, use existing electrical wiring to expand your home network
- **Keep your outlet** – An integrated socket lets you power regular devices as normal, and a built-in noise filter prevents them from interrupting the powerline signal.
- **TP-Link tpPLC** – Allows you to easily manage your network using the tpPLC Utility

Range

- **300 meters Range** – Up to 300 meters / 1000 feet range over the existing household power circuit.

Security

- **Pair Button** – 128-bit AES encryption easily at a push of the "Pair" button

Reliability

- **Mains Filter** – Mains Filter inside the outlet reduces electrical noise interference and improves powerline communication performance

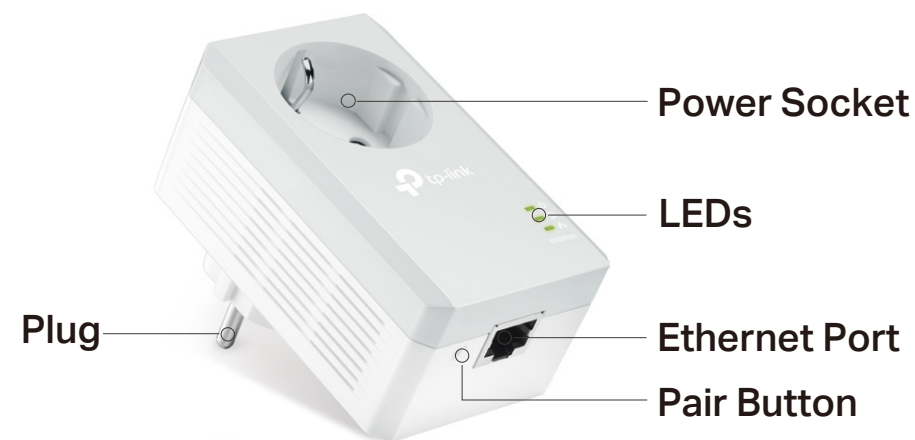
Energy Saving

- **Power Saving** – Power Saving Mode helps reducing power consumption by up to 85%

Specifications

Hardware

- Plug Type: EU
- Standards and Protocols: HomePlug AV, IEEE 1901, IEEE 802.3, IEEE 802.3u
- Power Consumption: Maximum: 2.50W
Typical: 2.30W
Standby: 0.36W
- Range: 300 Meters over electrical circuit
- Interface: Ethernet Port, Power Socket
- Button: Pair Button
- LED Indicator: Power, Powerline, Ethernet
- Dimensions (W x D x H): 3.7 x 2.3 x 1.7 in (95 x 58 x 42 mm)



For more information, please visit

<http://www.tp-link.com/en/products/details/TL-PA4010PKIT.html>

or scan the QR code left

* Compatible with all HomePlug AV & AV2 Standard Powerline adapters.

* Listed HomePlug AV speeds refer to the theoretical maximum physical-layer data transfer rate. Actual data speeds vary and are influenced by the home's Wi-Fi/electrical/physical environment, and if adapters are placed on the same home circuit.

Specifications are subject to change without notice. TP-Link is a registered trademark of TP-Link Technologies Co., Ltd. Other brands and product names are trademarks or registered trademarks of their respective holders. Copyright ©2016 TP-Link Technologies Co., Ltd. All rights reserved.

Software

- Modulation Technology: OFDM (PLC)
- Encryption: Powerline Security: 128-bit AES

Others

- Certification: CE, RoHS
- Package Contents:
 - AV600 Passthrough Powerline Adapter 2 × TL-PA4010P
 - 2 × Ethernet Cable
 - Quick Installation Guide
- System Requirements:
 - Windows 2000/XP/2003/Vista, Windows 7/8/8.1/10, Mac, Linux
- System Requirements for tpPLC Utility:
 - Windows 10/8.1/8/7/Vista/XP and Mac OS X (10.7 or later)
- Environment:
 - Operating Temperature: 0°C~40°C (32°F ~104°F)
 - Storage Temperature: -40°C~70°C (-40°F ~158°F)
 - Operating Humidity: 10%~90% non-condensing
 - Storage Humidity: 5%~90% non-condensing

www.tp-link.com

TP-Link AV600 Passthrough Powerline Starter Kit TL-PA4010P KIT