

# DH-SD22204I-GC

2MP 4x PTZ HDCVI Camera



- 1/2.7" 2Megapixel CMOS
- Powerful 4x optical zoom
- 120dB true WDR, 3D DNR
- Max. 25/30fps@1080P, 25/30/50/60fps@720P
- IP66, IK10



## System Overview

Featuring with powerful optical zoom and accurate pan/tilt/zoom performance, the SD22 series PTZ camera can provide large monitoring range and great detail. The camera delivers 1080P resolution at 25/30 fps, with 4x optical zoom. SD22 series PTZ is equipped with smooth control, high quality image and good protection, which make it can meet small size of video surveillance applications.

## Functions

### Simplicity

HDCVI technology inherits the born feature of simplicity from traditional analog surveillance system, making itself a best choice for investment protection. HDCVI system can seamlessly upgrade the traditional analog system without replacing existing coaxial cabling. The plug and play approach enables full HD video surveillance without the hassle of configuring a network.

### Environmental

With a temperature range of -30 °C to +60 °C (-22 °F to +140 °F), the camera is designed for extreme temperature environments. The camera complies to an IK10 impact rating making it capable of withstanding the equivalent of 55 kg (120 lbs) of force. Subjected and certified to rigorous dust and water immersion tests, the IP66 rating makes it suitable for demanding applications.

### Technical Specification

#### Camera

Image Sensor	1/2.7" CMOS
Effective Pixels	1944(H) x 1092(V), 2 Megapixels
Scanning System	Progressive
Electronic Shutter Speed	1/3s~1/30,000s
Minimum Illumination	Color: 0.05Lux@F1.6; B/W: 0.005Lux@F1.6
S/N Ratio	More than 55dB
IR Distance	N/A
IR On/Off Control	N/A
IR LEDs	N/A

#### Lens

Focal Length	2.7mm~11mm
Max. Aperture	F1.6
Angle of View	H: 112.5° ~ 30°
Optical Zoom	4x
Focus Control	Auto/Manual
Close Focus Distance	100mm~ 1000mm

#### DORI Distance

\*Note: The DORI distance is a "general proximity" of distance which makes it easy to pinpoint the right camera for your needs. The DORI distance is calculated based on sensor specification and lab test result according to EN 62676-4 which defines the criteria for Detect, Observe, Recognize and Identify respectively.

Detect	Observe	Recognize	Identify
120m(394ft)	48m(157ft)	24m(79ft)	12m(39ft)

#### PTZ

Pan/Tilt Range	Pan: 0° ~ 355°; Tilt: 0° ~ 90°
Manual Control Speed	Pan: 0.1° ~ 100° /s; Tilt: 0.1° ~ 60° /s
Preset Speed	Pan: 100° /s; Tilt: 60° /s
Presets	300
PTZ Mode	8 Tour, Auto Pan
Speed Setup	Human-oriented focal Length/ speed adaptation
Power up Action	Auto restore to previous PTZ and lens status after power failure
Idle Motion	Activate Preset/Tour if there is no command in the specified period
Protocol	DH-SD, Pelco-P/D (Auto recognition)

#### Video

Resolution	1080P(1920x1080)/720P(1280x720)
Frame Rate	25/30fps@1080P, 25/30/50/60fps@720P
Video Output	1-channel BNC high definition video output/ CVBS standard definition video output (switchable)

Day/Night	Auto(ICR) / Color / B/W
OSD Menu	Support
Backlight Compensation	BLC / HLC / WDR(120dB)
White Balance	Auto,ATW,Indoor,Outdoor,Manual
Gain Control	Auto / Manual
Noise Reduction	Ultra DNR (2D/3D)
Digital Zoom	16x
Flip	180°
Privacy Masking	N/A

#### Certifications

Certifications	CE: EN55032/EN55024/EN50130-4 FCC: Part15 subpartB,ANSI C63.4- 2014 UL: UL60950-1+CAN/CSA C22.2,No.60950-1
----------------	--

#### Interface

Video Interface	1
Audio Interface	N/A
RS485	1
Alarm I/O	N/A

#### Electrical

Power Supply	DC 12V/1.5A
Power Consumption	10W

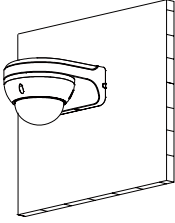

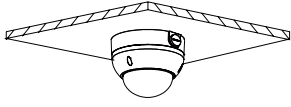
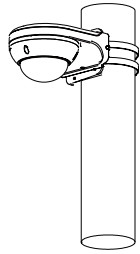
#### Environmental

Operating Conditions	-30°C ~ 60°C (-22°F ~ +140°F) / Less than 90% RH
Ingress Protection	IP66
Vandal Resistance	IK10

#### Construction

Casing	Metal
Dimensions	Φ122 (mm) x 89 (mm)
Net Weight	0.6kg(1.32lb)
Gross Weight	0.65kg(1.43lb)

Ordering Information		
Type	Part Number	Description
2MP PTZ Camera	DH-SD22204I-GC	2MP 4x PTZ HDCVI Camera, WDR, PAL
	DH-SD22204IN-GC	2MP 4x PTZ HDCVI Camera, WDR, NTSC
	SD22204I-GC	2MP 4x PTZ HDCVI Camera, WDR, PAL
	SD22204IN-GC	2MP 4x PTZ HDCVI Camera, WDR, NTSC
Accessories	PFA137	Mount Adapter
	DC12V/2A	Power Supply
	PFB203W	Wall Mount
	PFB200C	In-ceiling Mount
	PFA152	Pole Mount

Wall Mount	In-ceiling Mount
PFB203W	PFB200C
	
Junction Box Mount	Pole Mount
PFA137	PFB203W + PFA152
	

**Accessories**

Optional:



PFA137  
Mount Adapter



DC12V/2A  
Power Supply



PFB203W  
Wall Mount



PFA152  
Pole Mount



PFB200C  
Ceiling Mount

**Dimensions (mm)**

