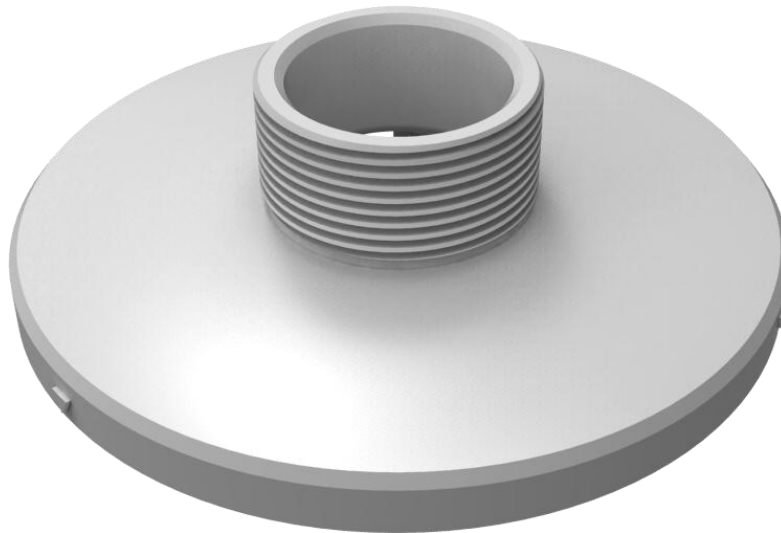


PFA103

Mount Adapter



Features

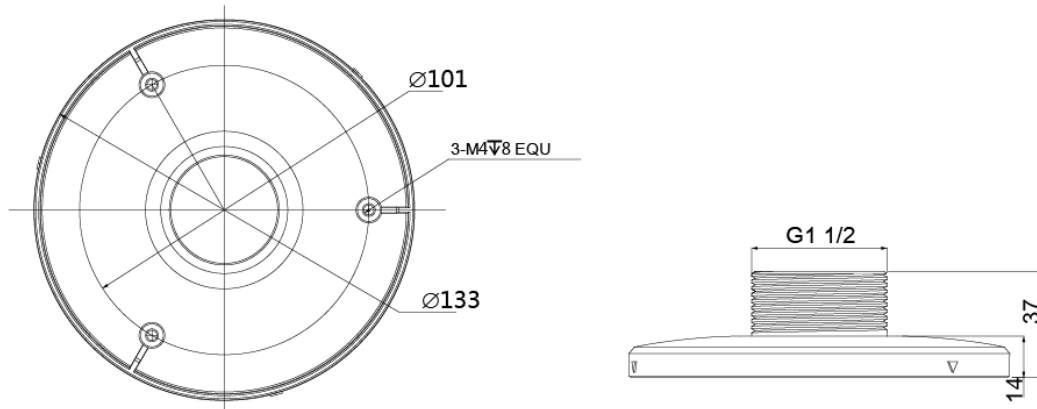
- Material: Aluminum
- Hanging Mount Adapter
- Neat & Integrated design

Specifications

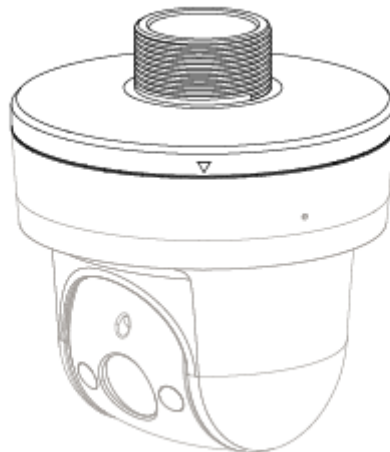
Model	PFA103
General	
Material	Aluminum
Dimension (W x H x D)	φ133mm x 37mm
Pipe Thread	G1 1/2"
Operating Temperature	-40°C ~60°C
Humidity	0~90% RH
Load Bearing	3.0Kg
Weight	0.13Kg
Applicable Model	Please see "Accessory Selection"

PFA103

Dimensions (mm)



Application



Dahua Technology Co., Ltd.

1199 BinAn Road, Binjiang District, Hangzhou, China

Tel: +86-571-87688883

Fax: +86-571-87688815

Email: overseas@dahuatech.com

www.dahuasecurity.com

*Design and specifications are subject to change without notice.

© 2014 Dahua Technology Co., Ltd.