



# PowerCat™ 6A Shielded Side Entry DIN 49075 Module

## Features and Benefits

The PowerCat 6A shielded DIN module is designed for compatibility with the 50 x 50mm DIN 49075 standard. The angled design reduces patch cord bend radius and features a protected labelling facility. Individual ports may be colour coded using a connector icon label, for site-specific network administration. The PowerCat 6A shielded DIN module is available as a single or double port product and is supplied with a grid-plate.

The PowerCat 6A side entry DIN module is designed specifically for shallow backbox and trunking applications. The module features the unique side entry DataGate shielded connector. This shielded connector offers superior alien crosstalk suppression, excellent insertion loss, and provides enhanced electromagnetic interference (EMI) protection by utilising robust die-cast zinc alloy connector body housing. This shielded connector also features a unique spring loaded shutter that not only protects it from dust and contaminants, but the ingenious spring loaded design also ejects improperly seated patch cords. The shielded connector is dual colour coded for either 568A or 568B wiring schedules. The DataGate PowerCat 6A shielded connector is also backwards compatible with shielded C6 and C5e systems

Molex recommends the full range of PowerCat 6A shielded products be used in a system to maximise cabling performance. This system is compliant with ISO/IEC 11801 A1.1 and TIA 568-C.2 Cat 6A for the support of 10GBASE-T.

- DIN 49075 compatible
- 360° die-cast shielded shuttered RJ45 DataGate connector - side entry
- Protected labelling facility
- Angled fascia
- 1 and 2 port versions
- Category 6A performance when installed as a complete PowerCat 6A shielded system
- RoHS Compliant

## Commercial Standards

TIA-568-C.2 Cat 6A  
 ISO/IEC 11801 A1.1  
 FCC Subpart F 68.5  
 IEC-603-7

*Pending Approvals:*  
 ETL independant testing  
 UL-1863  
 CSA C2.2

## Technical Information

### Mechanical Characteristics

**Connector**  
 Housing: Zinc Alloy plated Bright Ni/Cu  
 Operating Life: Minimum 750 insertion cycles  
 Contact Material: Copper Alloy  
 Contact Plating: 1.25 micrometres Au/Ni  
 Contact Force: 100g minimum  
 Plug Retention Force: 6.8kg minimum

### IDC Connector

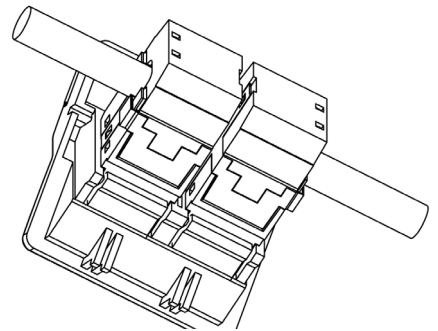
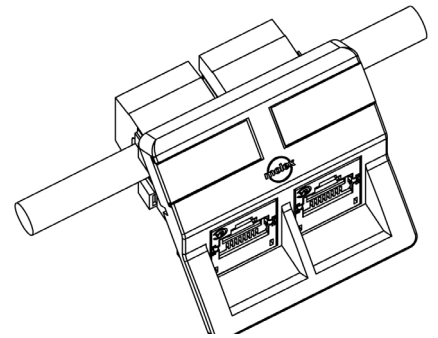
Housing: Polycarbonate, UL94V-0 rated  
 Operating Life: Minimum 20 reterminations  
 Contact Material: Copper Alloy  
 IDC Contact Plating: Tin Matte Finish  
 Contact Force: 100g minimum  
 Wire Accommodation: 22-24 AWG solid

### Electrical Characteristics

Interface Resistance: 20mΩ  
 Initial Contact Resistance: 2.5mΩ  
 Insulation Resistance: >100 MΩ

Minimum Backbox Depth Requirement: 28mm

Termination Tool: 110



## ORDERING INFORMATION

Order No.	Description
WNC-00050-02	PowerCat 6A Side Entry DIN Module 1 Port DataGate RJ45 568A/B Shielded - White
WNC-00051-02	PowerCat 6A Side Entry DIN Module 2 Port DataGate RJ45 568A/B Shielded - White
WNC-00050-08	PowerCat 6a Side Entry DIN Module 1 Port DataGate RJ45 568A/B Shielded - Almond
WNC-00051-08	PowerCat 6a Side Entry DIN Module 2 Port DataGate RJ45 568A/B Shielded - Almond

## MOLEX PREMISE NETWORKS

**Americas**  
 Tel: 630 969 4550  
 www.molexpn.com

**EMEA**  
 Tel: 44 (0) 2392 205800  
 www.molexpn.co.uk

**APAC**  
 Tel: 61 3 9971 7111  
 www.molexpn.com.au