

**Features and Benefits**

The PowerCat 6 Shielded DIN module is designed for compatibility with the 50 x 50mm DIN 49075 standard. The product is a fully assembled unit featuring the Shielded DataGate 6 connector. The angled design reduces patch cord bend radius and features a protected labelling facility. Individual ports may be colour coded using a connector icon label, for site-specific network administration. The PowerCat 6 Shielded DIN module is available as a single or double port product and is supplied with a grid-plate.

The PowerCat 6 Shielded DIN Module is a key component of the PowerCat 6 shielded channel compliant system. The module features the Shielded DataGate 6 connector that allows 180° cable exit. This superior connector provides 360° shielded protection by utilising a two piece tin/nickel plated brass can that encloses the RJ45 IDC. The Shielded DataGate connector includes a unique integral shutter that not only protects it from dust and contaminants, but the ingenious spring-loaded design also ejects improperly seated patch cords. The Shielded DataGate 6 connector is dual colour coded for either 568A or 568B wiring schedules and is RJ11 compatible.

Suitable for high-speed data transmission, the Shielded DataGate 6 connector has been designed to exceed the highest electrical performance standards in the industry and has been independently tested and verified by ETL SEMKO for Category 6 component compliance. The Shielded DataGate 6 connector

is also backward compatible with Shielded C5E systems.

Molex recommend that the full range of PowerCat 6 Shielded products are used in a system to maximise cabling performance. The System has been independently verified by Intertek ETL SEMKO as compliant with ISO/IEC TR24570 and TIA/EIA TSB-155 technical reports for the support of 10G BASE-T Channels and Permanent Links.

- DIN 49075 compatible
- 360° Shielded Shuttered RJ45 DataGate 10G connector component compliant
- Protected labelling facility
- Angled fascia
- 1 and 2 Port versions
- RoHS Compliant

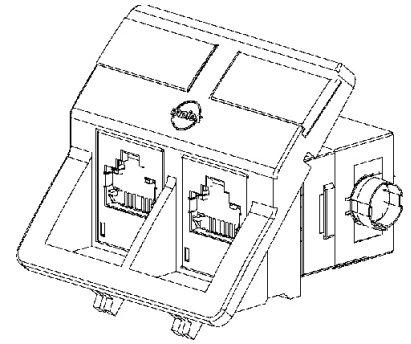
**Commercial Standards**

Category 6:  
TIA/EIA 568B-2-1, FCC Subpart F68.5,  
ISO 60603-7,  
ISO 11801:2002, EN 50173:2002  
10G Base-T:  
TIA/EIA TSB-155  
ISO/IEC 24570)

**Technical Information**

**Mechanical Characteristics**

Jack Connector  
Plastic Housing: Polycarbonate, UL94V-0 rated or equivalent  
Operating Life: Min. 750 insertion cycles  
Contact Material: Copper Alloy  
Contact Plating: 1.27 micrometres Au/Ni  
Contact Force: 100g minimum  
Plug Retention Force: 6.8kg



Can: 0.25mm brass to C2680R pre-plated tin over nickel  
IDC Connector  
Plastic Housing: Polycarbonate, UL94V-0 rated or equivalent  
Operating Life: Min. 20 Reterminations  
Contact Material: Copper Alloy  
IDC Contact Plating: Tin/Lead Plate  
Contact Force: 100g minimum  
Wire Accommodation: 22-24 AWG solid

**Electrical/Optical Characteristics**

Interface Resistance: <20mΩ  
Initial Resistance Imbalance: <2.5mΩ  
Insulation Resistance: >100MΩ

Minimum backbox depth requirement: 50mm

Termination Tool: 110

Shipping weight: 300g (pack of 5)

**ORDERING INFORMATION**

Order No.	Description
WNC-00036-02	PowerCat 10G DIN Module 1 Port DataGate Plus RJ45 568A/B Shielded - White
WNC-00036-06	PowerCat 10G DIN Module 1 Port DataGate Plus RJ45 568A/B Shielded - Almond
WNC-00037-02	PowerCat 10G DIN Module 2 Port DataGate Plus RJ45 568A/B Shielded - White
WNC-00037-06	PowerCat 10G DIN Module 2 Port DataGate Plus RJ45 568A/B Shielded - Almond
CSP-00021-**	Connector icon labels

\*\* Colour Options: 01=Almond, 02=White, 04=Black, 05=Ivory, 08=Grey, BL=Blue, GR=Green, PP=Purple, RD=Red, RG=Orange, YL=Yellow

**MOLEX PREMISE NETWORKS**

**Americas**  
Tel: 630 969 4550  
www.molexpn.com

**EMEA**  
Tel: 44 (0)2392 205800  
www.molexpn.co.uk

**APAC**  
Tel: 61 3 9971 7111  
www.molexpn.com.au