

PowerCat 6A Shielded Side Entry Jack



The Molex PowerCat 6A Side Entry Jack is specifically designed for high speed 10 Gigabit Ethernet applications.

This jack is ideal for use in work area outlet applications with limited back box space. This jack also incorporates time saving installation features such as a spring loaded cable clamp feature and is compatible with 110 termination tool.

Features and Advantages

Robust die cast zinc alloy housing

Cable can be terminated on left or right side of jack

Spring loaded shutter

Spring loaded cable clamp

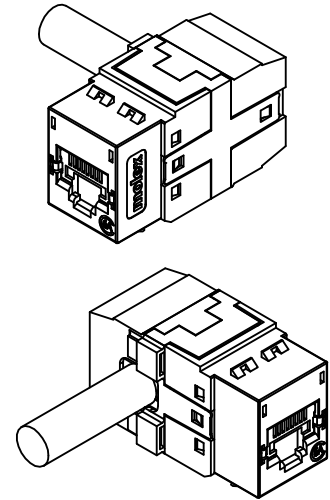
Complies with ISO/IEC 11801 and TIA Cat 6A channel and PL requirements

Jack can be terminated with 4 Pair Termination Tool or standard IDC Punch Down Tool

Patented IDC (insulation displacement contact) V-shaped contacts that flex not fatigue when terminated

100% factory tested

RoHS compliant



Specifications

MECHANICAL

Jack Connector
Housing material: Zinc Alloy
Operating Life: 750 insertion cycles minimum
Contact Plating: Copper Alloy
Contact Force: 50u" Gold/100u" Nickel
Plug Retention Force: 11 lbf minimum

IDC Connector
Housing: Polycarbonate, UL9V-0 rated
Operating Life: 20 re-terminations minimum
IDC Contact Material: Copper Alloy
IDC Contact Plating: Tin Matte Finish
Wire Accommodation: 22-24 AWG Solid

ELECTRICAL

Interface Resistance: 20mΩ
Initial Contact Resistance: 2.5mΩ
Insulation Resistance: >100mΩ

COMMERCIAL STANDARDS

ISO/IEC 11801:2002/And 1 Class Ea
TIA-568-C.2 Cat 6A
UL-1863 (for data use only)
CSA C22.2

Ordering Information

Order No.	SAP No.	Description	Colour
KSJ-00073-04	Consult Molex	PowerCat 6A Shielded Side Entry Jack with Black Shutter	Black
KSJ-00073-02	Consult Molex	PowerCat 6A Shielded Side Entry Jack with White Shutter	White
KSJ-00073-08	Consult Molex	PowerCat 6A Shielded Side Entry Jack with Grey Shutter	Grey
KSJ-00073-YL	Consult Molex	PowerCat 6A Shielded Side Entry Jack with Yellow Shutter	Yellow
KSJ-00073-PP	Consult Molex	PowerCat 6A Shielded Side Entry Jack with Purple Shutter	Purple
KSJ-00073-GR	Consult Molex	PowerCat 6A Shielded Side Entry Jack with Green Shutter	Green

www.molexces.com

Molex is a registered trademark of Molex, LLC in the United States of America and may be registered in other countries; all other trademarks listed herein belong to their respective owners. This information is correct at the time of publication, specifications are subject to change.