

Features and Benefits

Molex's Optical Fibre Adapter Plates are modular platform that is compatible with a various Molex Enclosures and Fibre Splicing Systems. Adapter density ranges from 6 fibres to 24 fibre per plate, allowing for 1U 96 fibre density. Available in a variety of connectors and performance levels, the Molex Plates require no tools for installation.

- From 6 Fibre to 24 Fibre Density – Allows you to reuse your existing enclosure and increase your fibre count to meet demand
- Greater Asset Utilisation – Easily Expandable – allows multiple generational uses of the enclosure for the same rack area. Our blank plates and a small profile plate ensures you only pay for the adapters you need.
- Snap Rivets – allows for easy installation and removal
- Upgradeable - Can be used with Molex's standard OF splicing options or with our new Modular Splice Cassette
- 100% Factory Tested – Guaranteed performance

Commercial Standards

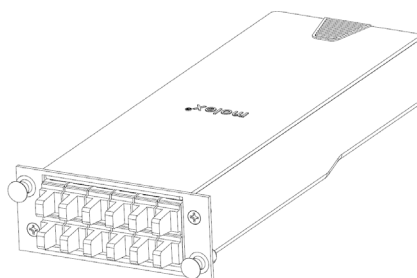
ISO/IEC 11801, ANSI/TIA/EIA 568.B.3-2000, ANSI/TIA/EIA-492, TELECORDIA GR-409, ICEA-596

Technical Information

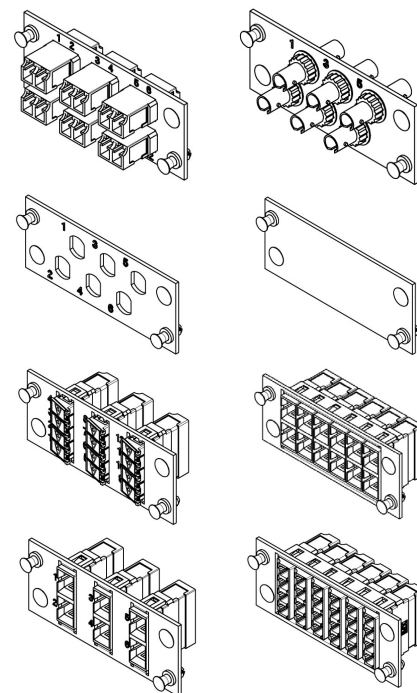
Mechanical Characteristics

Dimensions: 86 x 33mm
 Plate Material: Black Electroplate or Thermoplastic

Multiple Formats available - Simplex, Duplex, Single Mode, Multi Mode and a variety of connector options



New Modular Splice Cassette - Superior Fibre Management and Protection



ORDERING INFORMATION

Order No.	SAP No.	Description
AFR-00357	180600135	ST 6 Fibre Adapter Plate
AFR-00358	180600136	SC Duplex 6 Fibre SM Adapter Plate - Blue
AFR-00360	180600138	SC Duplex 6 Fibre MM Adapter Plate - Beige
AFR-00363	180600141	6 Fibre Blank Plastic pack of 4
AFR-00364	180600142	ST 6 Fibre Adapter Plate unloaded
AFR-00365	180600143	LC Duplex 12 Fibre SM Adapter Plate - Blue
AFR-00366	180600144	LC Duplex 12 Fibre MM Adapter Plate - Beige
AFR-00367	180600145	SC 6 Fibre Adapter Plate unloaded
AFR-00362	180600140	SC Duplex 12 Fibre MM Adapter Plate - Beige
AFR-00368	180600146	SC Duplex 12 Fibre SM Adapter Plate - Blue
AFR-00369	180600147	LC Quad 12 Fibre SM Plate - Blue
AFR-00370	180600148	LC Quad 12 Fibre MM Plate - Beige
AFR-00371	180600149	FC 6 Fibre Adapter Plate
AFR-00372	180600150	SC Duplex 6 Fibre MM OM3 Adapter Plate - Aqua
AFR-00374	180600152	SC Duplex 12 Fibre MM OM3 Adapter Plate - Aqua
AFR-00375	180600153	LC Quad 12 Fibre MM OM3 Adapter Plate - Aqua
AFR-00376	180600154	LC Duplex 12 Fibre MM OM3 Adapter Plate - Aqua
AFR-00377	180600155	LC Quad 24 Fibre MM OM1 LC Adapter Plate - Beige
AFR-00378	180600156	LC Quad 24 Fibre MM OM3 LC Adapter Plate - Aqua
AFR-00379	180600157	LC Quad 24 Fibre SM OS1 LC Adapter Plate - Blue
Other Products of Interest		
AFR-00380	183190016	Modular Splice Cassette Kit
RFR-00201	0180370259	1U 24-96 Fibre Specification Grade Enclosure
RFR-00202	0180370260	2U 48-192 Fibre Specification Grade Enclosure
RFR-00204	0180660016	4U 144-576 Fibre Specification Grade Enclosure

MOLEX PREMISE NETWORKS

Americas
 Tel: 630 969 4550
www.molexpn.com

EMEA
 Tel: 44 (0)2392 205800
www.molexpn.co.uk

APAC
 Tel: 61 3 9971 7111
www.molexpn.com.au