

# VB-S30VE



Light, compact and durable PTZ camera designed to withstand outdoor conditions.

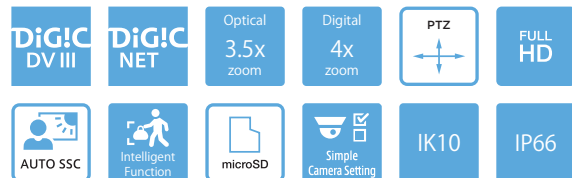
An easy-to-install weatherproof and vandal-resistant compact PTZ camera featuring a bright zoom lens and a built-in microphone to add new layers of detail.



- Capture everything with the VB-S30VE's bright f/1.4-2.6 lens, pan, tilt and zoom functions and superb low-light performance
- Full HD imaging and 3.5x optical zoom with low-distortion aspherical lens elements for pin-sharp images
- Record clear, high-quality audio with the built-in omnidirectional microphone
- Lightweight, compact and easy to install with IK10 impact and IP66 weatherproof protection
- Motion Adaptive Noise Reduction and Area-specific Data Size Reduction (ADSR) maintain video quality while reducing data size
- Intelligent on-board analytics functions for advanced alarm detection
- Live monitoring and management from a broad range of supported web browsers and mobile devices
- ONVIF® Profile S compliant

## Product Range:

**VB-S30VE**  
VB-S800VE  
VB-S30D  
VB-S31D  
VB-S800D  
VB-S805D



# Technical Specifications

# VB-S30VE

CAMERA	
<b>Image Sensor</b>	1/4.85 type CMOS (primary colour filter)
<b>Number of Effective Pixels</b>	Approx. 2.1 million pixels
<b>Scanning Method</b>	Progressive
<b>Lens</b>	3.5x optical (4x digital zoom) zoom lens with auto focus
<b>Focal Length</b>	2.25 (W) – 7.88 mm (T)
<b>F-number</b>	F1.4 (W) – F2.6 (T)
<b>Viewing Angle For 16:9 aspect ratios</b>	Horizontal: 77.1° (W) – 20.6° (T) Vertical: 40.2° (W) – 11.5° (T)
<b>For 4:3 aspect ratios</b>	Horizontal: 54.9° (W) – 15.4° (T) Vertical: 40.2° (W) – 11.5° (T)
<b>Day/Night Switch</b>	Auto/Day Mode/Night Mode
<b>Min. Subject Illumination</b>	Day Mode (colour): 1.0 lux (F1.4, shutter speed 1/30 sec., SSC off, 50IRE) Night Mode (monochrome): 0.55 lux (F1.4, shutter speed 1/30 sec., SSC off, 50IRE)
<b>Focus</b>	Auto/One-shot AF/Manual/Fixed at infinity
<b>Shooting Distance (from front of lens)</b>	Day Mode: 0.3 m (12 in.) – infinity Night Mode: 0.3 m (12 in.) – infinity
<b>Shutter Speed</b>	1, 1/2, 1/4, 1/8, 1/15, 1/30, 1/50, 1/60, 1/100, 1/120, 1/250, 1/500, 1/1000, 1/2000, 1/4000, 1/8000, 1/10000, 1/16000 sec.
<b>Exposure</b>	Auto/Auto (Flickerless)/Auto (Flickerless2)/Auto (Shutter-priority AE)/Manual
<b>White Balance</b>	Auto/Manual/Daylight Fluorescent/White Fluorescent/Warm Fluorescent/Mercury Lamp/Sodium Lamp/Halogen Lamp Manual: One-shot WB/R Gain/B Gain
<b>Metering Mode</b>	Center-Weighted/Average/Spot
<b>Exposure Compensation</b>	9 levels
<b>Smart Shade Control</b>	Auto/Manual/Disable Auto: 3 levels Manual: 7 levels
<b>Haze Compensation</b>	Auto/Manual/Disable Auto: 3 levels Manual: 7 levels
<b>AGC Limit</b>	6 levels
<b>Motion-Adaptive NR (Noise Reduction)</b>	Available
<b>Pan Angle Range</b>	350° (±175°)
<b>Tilt Angle Range</b>	90° (ceiling-mounted position: -90° – 0°) – When the horizontal position is 0°
<b>Moving Speed</b>	Pan: Max. 120°/sec. Tilt: Max. 120°/sec.
<b>Built-in microphone</b>	Omni-directional electret condenser microphone Sensitivity: -40 dB (0 dB=1 V/Pa) S/N Ratio: 62 dB or greater Frequency Response: 50 Hz – 16 kHz
SERVER	
<b>Video Compression Method</b>	JPEG, H.264
<b>Video Size</b>	JPEG, H.264: 1920 x 1080, 960 x 540, 480 x 270 1280 x 720, 640 x 360, 320 x 180 1280 x 960, 640 x 480, 320 x 240
<b>Video Quality</b>	JPEG, H.264: 10 levels
<b>Frame Rate</b>	JPEG: 0.1 – 30 fps H.264: 1/2/3/5/6/10/15/30 fps – Values represent streaming performance from the camera. – The frame rate may be reduced due to Viewer computer's specs, the number of clients accessing at the same time, network loads, video quality setting, type or movement of the subject or other reasons. Maximum frame rate when used in the following combinations: When streaming H.264(1) (1920 x 1080) and H.264(2) (all sizes) simultaneously: 15 fps When streaming H.264(1) (all sizes) and H.264(2) (1920 x 1080) simultaneously: 15 fps When streaming H.264(1) (1280 x 720) and H.264(2) (1280 x 720) simultaneously: 15 fps When streaming H.264(1) (1280 x 960) and H.264(2) (1280 x 960) simultaneously: 15 fps
<b>I-Frame Interval</b>	0.5/1/1.5/2/3/4/5 sec.
<b>Simultaneous Client Access</b>	Max. 30 Clients + 1 Admin Client – H.264: Max. 10 Clients
<b>Bit Rate Control</b>	Target Bit Rate: 64/128/256/384/512/768/1024/1536/2048/3072/4096/6144/8192/10240/12288/14336/16384 kbps
<b>ADSR: Area-specific Data Size Reduction</b>	Number of Specified Areas: Max. 8 areas Data Size Reduction Level: 3 levels
<b>Security</b>	Camera Control: Administrator, Authorized user, Guest user (level of control varies depending on user) Access Control: User authority (user name and password), Host Access Restrictions (IPv4, IPv6) IEEE802.1X: EAP-MD5, EAP-TLS, EAP-TTLS, EAP-PEAP Encrypted Communications: SSL/TLS, IPsec

<b>Protocol</b>	IPv4, IPv6, TCP/IP, UDP, HTTP, FTP, SNMPv1/v2c/v3 (MIB2), DHCP, DNS, AutoIP, mDNS, ARP, ICMP, POP3, NTP, SMTP, RTP/RTCP, RTSP, SSL/TLS, IPsec, ONVIF, WV-HTTP (Canon proprietary)
<b>ONVIF Profile</b>	Profile-S
<b>Audio Compression Method</b>	G.711 µ-law (64 kbps)
<b>Audio Communication Method</b>	Full-duplex (two-way)/half-duplex (One-way communication) RTP, Sound Transfer Protocol by Canon
<b>Audio File Playback</b>	Available (audio files can be played back when an event is triggered by the intelligent function or external device input) – A third-party amplifier speaker is necessary
<b>Privacy Mask</b>	Number of registration: Max. 8 places, Number of mask colors: 1 (select from 9 colors)
<b>Panorama</b>	Available
<b>View Restriction</b>	Available
<b>Preset</b>	Number of registers: Max. 64 positions (+Home Position)
<b>Intelligent Function (Video)</b>	Moving Object Detection, Abandoned Object Detection, Removed Object Detection, Camera Tampering Detection, Passing Detection, and Intrusion Detection Detection Settings: Max. 15 Non-detection Area Settings: Available
<b>Intelligent Function (Audio)</b>	Volume Detection
<b>Event Trigger Type</b>	External Device Input, Intelligent Function (Video), Intelligent Function (Audio), Timer, Day/Night Switch Number of Linked Events: 2 Linked Event Conditions: OR, AND (whether or not there is a sequence to events)
<b>Image Upload</b>	FTP/HTTP
<b>Event Notification</b>	HTTP/SMTP (e-mail)
<b>Log Notification</b>	SMTP (e-mail)
<b>Image Cropping Function</b>	Digital PTZ Cropping sizes: 640 x 360/512 x 288/384 x 216/256 x 144/128 x 72 640 x 480/512 x 384/384 x 288/256 x 192/128 x 96
<b>On-Screen Display</b>	Available English Only – The following languages require the use of the On-Screen Display Assist Tool. German/Spanish/French/Italian/Russian/Turkish/Chinese (Simplified)/Japanese
<b>Daylight Saving Time</b>	Available
INTERFACE	
<b>Network Terminal</b>	LAN x1 (RJ45, 100Base-TX (auto/full-duplex/half-duplex))
<b>Audio Output Terminal (LINE OUT)</b>	Φ3.5 mm (Φ0.14 in.) mini-jack connector (monaural) LINE OUT (connect to an amplifier speaker)
<b>External Device I/O Terminal</b>	Input x 1, Output x 1
<b>Memory Card</b>	microSD Memory Card, microSDHC Memory Card, microSDXC Memory Card Compatible. Recorded Content: Log, Video (Event, Manual, ONVIF, Timer, Upload) Frame Rate: Max. 1 fps (JPEG) Max. 30 fps (H.264) – To insure reliability in the recording speed, it is recommended to use CLASS 10 rated products. Even when using CLASS 10 products, reliability cannot be guaranteed during heavy access loads (e.g., when recording and deleting data at the same time).
OTHER	
<b>Operating Environment</b>	Temperature Operating Temperature Range: -25°C – +50°C (-13°F – +122°F) Start-up Temperature Range: -10°C – +50°C (+14°F – +122°F) Humidity 5% – 85% (without condensation)
<b>Installation</b>	Ceiling mount – Canon will not guarantee proper operation if the cameras are installed on surfaces where the angle is more than ±5° from horizontal or on walls, because this will put a heavy load onto sliding mechanical parts and may affect durability.
<b>Power Supply</b>	PoE function : PoE power supply via LAN connector (IEEE802.3af compliant)
<b>Power Consumption</b>	Max. 8.1 W – Class 0 power sourcing equipment (requests 15.4 W)
<b>Dimensions</b>	(Φ x H) Φ132 x 65 mm (Φ5.20 x 2.56 in.) – Camera only
<b>Weight</b>	Approx. 620 g (21.9 oz.)
<b>Impact Resistance (VB-S30VE) (VB-S800VE)</b>	IK10 (20J)
<b>Dust-resistant/Waterproof Specification</b>	IP66
<b>Certifications and Compatibility</b>	EN55032 Class B, FCC part15 subpart B Class B, ICES-003 Class B, VCCI Class B, C-trick A5/NZS EN55032 Class B, CNS13438 Class B, KN32 Class B, EN55024, KN35, EN50581 IEC/UL/EN60950-1, EN50130-4, IEC/UL/EN60529 IP66, IEC/UL/EN62262 IK10

# Technical Specifications

# VB-S30VE

<b>APPLICATION</b>	
<b>Viewer</b>	Camera Viewer Mobile Camera Viewer
<b>Software</b>	Camera Management Tool RM-Lite Recorded Video Utility On-screen Display Assist Tool
<b>Language</b>	German/English/Spanish/French/Italian/Russian/Thai/Turkish/ Chinese (Simplified) / Japanese
<b>Operating Environment</b>	(Setting page, Viewer)
<b>PC</b>	CPU (Recommended): Intel Core i7-2600 or higher Graphics Board (Recommended): Not specified Memory (Recommended): 2 GB or higher Viewer Display (Recommended): 1920 x 1080 or higher
<b>Operating System</b>	Windows Vista Ultimate/Business/Enterprise/Home Premium SP2 32/64-bit Windows 7 Ultimate/Professional/Enterprise/Home Premium SP1 32/64-bit Windows 8.1/Windows 8.1 Pro/Windows 8.1 Enterprise 32/64-bit* Windows 10 Pro/Windows 10 Enterprise/Windows 10 Education/ Windows 10 Home 32/64-bit Windows Server 2008 Standard SP2 32/64-bit Windows Server 2008 R2 Standard SP1 64-bit Windows Server 2012 Standard 64-bit* Windows Server 2012 R2 Standard 64-bit* * Can not be started from the start screen
<b>Operating System Language</b>	Setting Page, Camera Viewer, Mobile Viewer, CCMT, Record Video Utility: German/English/Spanish/French/Italian/Russian/Thai/Turkish/Chinese (Simplified)/Japanese On-screen Display Assist Tool: German/English/Spanish/French/Italian/Russian/ Turkish/Chinese (Simplified)/Japanese
<b>Compatible Browser</b>	Internet Explorer 9 32-bit Internet Explorer 10/11 32/64-bit Microsoft Edge* Chrome 50* * Does not support playback of Video (H.264) and audio files, reception of audio - Must be configured to allow use of JavaScript, IFRAME (html tag), and web storage. - For Camera Viewer only, cookies must be enabled
<b>Compatible Mobile Devices</b>	Surface, iPad, iPhone, Nexus, Galaxy
<b>Operating Environment</b>	Camera Management Tool, Recorded Video Utility

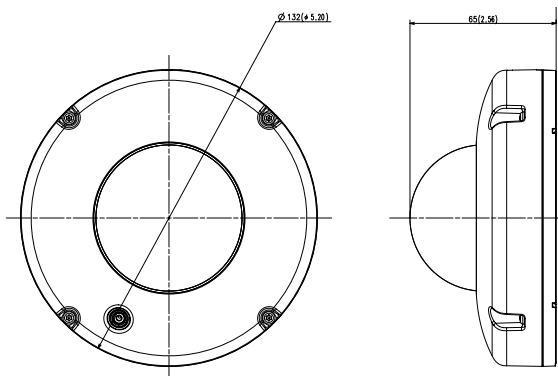
<b>Software</b>	Runtime Library Camera Management Tool: .NET Framework 3.5 SP1 (When using Internet Explorer 9) .NET Framework 4.5 (When using Internet Explorer 10/11) .NET Framework 4.6 (When using Internet Explorer 11) - One of the above must be installed  Recorded Video Utility .NET Framework 3.5 SP1 .NET Framework 4.5 .NET Framework 4.6 - One of the above must be installed
<b>Verified Mobile Devices</b>	Setting Page, Viewer - As of May 2016
<b>Surface 3</b>	Operating System Windows 10 Pro/Windows 10 Enterprise/Windows 10 Education/Windows 10 Home 64-bit  Compatible Web Browser Internet Explorer 11 Microsoft Edge* - Must be configured to allow use of JavaScript, and web storage - For Camera Viewer only, cookies must be enabled * Does not support playback of Video (H.264) or audio transmission/reception
<b>Apple Devices</b>	iPad Mini 3/4, Air/Air2, iPhone 6/6 Plus, 6S/6S Plus Operating System iOS 8.4.1 iOS 9.3.2  Compatible Browser Safari - Must be configured to allow use of JavaScript, IFRAME (html tag), and web storage - For Camera Viewer only, cookies must be enabled - Does not support playback of Video (H.264) and audio files, reception of audio - Setting page and Camera Viewer is not supported on the iPhone
<b>Android Devices</b>	Nexus 9, Galaxy Tab S 8.4, 10.5 (Android 6.0.1, 4.4.2) Compatible Web Browser: Chrome 46, 47 - Does not support playback of Video (H.264) or audio transmission/reception Nexus 6, Galaxy S6 (Android 6.0.1) Compatible Web Browser: Chrome 50 - Does not support playback of Video (H.264) or audio transmission/reception - Setting Page and Camera Viewer is not supported

## What's in the box?

- VB-S30VE main Unit
- Setup CD-ROM
- Wrench
- I/O interface cable

- Installation guide & template
- Safety wire & screw
- RJ45 coupler
- Warranty card

## Dimensions (mm)



## Compatible Accessories



**CB30VE-VB**  
Conduit Box



**PC30VE-VB**  
Pendant Mounting Kit

Light, compact and durable PTZ camera designed to withstand outdoor conditions.

# VB-S30VE



An easy-to-install weatherproof and vandal-resistant compact PTZ camera featuring a bright zoom lens and a built-in microphone to add new layers of detail.

Sales Start Date: Dec 2016 / Jan 2017

**Product Details:**

Product Name	Mercury Code	EAN Code	Recommended Retail Price
Network Camera VB-S30VE	1387C001AA	4549292078367	<Please fill in RRP>

**Optional Accessories:**

Product Name	Mercury Code	EAN Code	Recommended Retail Price
Conduit Box CB30VE-VB	1735C001AA	4549292078848	<Please fill in RRP>
Pendant Mounting Kit PC30VE-VB	1736C001AA	4549292079685	<Please fill in RRP>

**Measurement / Logistic Information:**

Product Name	Mercury code	Pack type	Pack description	Quantity per pack	Length (mm)	Width (mm)	Height (mm)	Net Weight (kg)	Gross Weight (kg)
Network Camera VB-S30VE	1387C001AA	EA	Each						
		CT	Carton						
		EP	Euro Pallet						