

# DH-SD6AE530U-HNI

5MP 30x IR PTZ Network Camera



- 1/1.9" 6Megapixel STARVIS™ CMOS
- Powerful 30x optical zoom
- H.265 Encoding
- Max. 25/30fps@5M/3M, 25/30/50/60fps@1080P
- Auto-tracking and IVS
- Support Hi-PoE
- IR distance up to 200m
- IP67, IK10



## System Overview

Featuring powerful optical zoom and accurate pan/tilt/zoom performance, the camera can provide large monitoring range and great detail. It is equipped with quick and smooth control, high quality image and good protection, which make it can meet most of the requirements of video surveillance applications.

## Functions

### Auto-tracking

This feature controls the pan/tilt/zoom actions of the camera to automatically track an object in motion and to keep it in the scene. The tracking action can be triggered manually or automatically by defined rules. Once a rule is triggered, the camera can zoom in and track the defined target automatically.

### High Efficiency Video Coding (H.265)

The H.265 (ITU-T VCEG) video compression standard offers double the data compression ratio at the same level of video quality, or substantially improved video quality at the same bit rate, as compared to older video compression technologies. H.265 offers such impressive compression by expanding the pattern comparison and difference-coding, improving motion vector prediction and motion region merging, and incorporating an additional filtering step called sample-adaptive offset filtering.

### PFA Technology

PFA technology has innovatively introduced new methods of judgment to ensure the accuracy and predictability of the direction of subject distance adjustment. The result is a set of advanced focusing algorithms. PFA ensures clarity of the image throughout the process of zooming and shortens focus time. The realization of PFA technology substantially improves user experience and increases product value.

### Environmental

Dahua cameras operate in extreme temperature environments, rated for use in temperatures from -40 °C to +70 °C (-40 °F to +158 °F) with 95% humidity. The camera complies with the IK10 Vandal Resistance impact rating making it capable of withstanding the equivalent of 55 kg (120 lbs) of force. Subjected to rigorous dust and water immersion tests and certified to the IP67 Ingress Protection rating makes it suitable for demanding outdoor applications.

### Protection

The camera allows for ±25% input voltage tolerance, suitable for the most unstable conditions for outdoor applications. Its 8KV lightning rating provides effective protection for both the camera and its structure against lightning.

### Interoperability

The camera conforms to the ONVIF (Open Network Video Interface Forum) and PSIA (Physical Security Interoperability Alliance) specifications, ensuring interoperability between network video products regardless of manufacturer.

## Technical Specification

### Camera

Image Sensor	1/1.9" STARVIS™ CMOS
Effective Pixels	2560(H) x 1920(V), 5 Megapixels
RAM/ROM	1024M/128M
Scanning System	Progressive
Electronic Shutter Speed	1/1s~1/30,000s
Minimum Illumination	Color: 0.01Lux@F1.5; 0Lux@F1.5(IR on)
S/N Ratio	More than 55dB
IR Distance	Distance up to 200m (656ft)
IR On/Off Control	Auto/Manual
IR LEDs	10

### Lens

Focal Length	6mm~180mm
Max. Aperture	F1.5 ~ F4.3
Angle of View	H: 61.2° ~ 2.1°
Optical Zoom	30x
Focus Control	Auto/Manual
Close Focus Distance	100mm~ 1000mm

### DORI Distance

\*Note: The DORI distance is a "general proximity" of distance which makes it easy to pinpoint the right camera for your needs. The DORI distance is calculated based on sensor specification and lab test result according to EN 62676-4 which defines the criteria for Detect, Observe, Recognize and Identify respectively.

Detect	Observe	Recognize	Identify
2250m(7832ft)	900m(2953ft)	450m(1476ft)	225m(738ft)

### PTZ

Pan/Tilt Range	Pan: 0° ~ 360° endless; Tilt: -20° ~ 90°, auto flip 180°
Manual Control Speed	Pan: 0.1° ~200° /s; Tilt: 0.1° ~120° /s
Preset Speed	Pan: 240° /s; Tilt: 200° /s
Presets	300
PTZ Mode	5 Pattern, 8 Tour, Auto Pan ,Auto Scan
Speed Setup	Human-oriented focal Length/ speed adaptation
Power up Action	Auto restore to previous PTZ and lens status after power failure
Idle Motion	Activate Preset/ Scan/ Tour/ Pattern if there is no command in the specified period
Protocol	DH-SD, Pelco-P/D (Auto recognition)

### Intelligence

Auto Tracking	Support
IVS	Tripwire, Intrusion, Abandoned/Missing, Face Detection, Heat Map

### Video

Compression	H.265 / H.264
Streaming Capability	3 Streams
Resolution	5M(2560×1920)/3M(2048×1536)/1080P(1920×1080)/1.3M(1280×960)/720P(1280×720)/D1(704×576/704×480)/CIF(352×288/352×240)
Frame Rate	Main stream: 5M/3M(1~25/30fps), 1080P/1.3M/720P(1~50/60fps) Sub stream1: D1/CIF(1 ~ 25/30fps) Sub stream2: 5M/1080P/1.3M/720P/D1/CIF (1~25/30fps)
Bit Rate Control	CBR/VBR
Bit Rate	H.265/H.264: 448K ~ 8192Kbps
Day/Night	Auto(ICR) / Color / B/W
Backlight Compensation	BLC / HLC / DWDR
White Balance	Auto,ATW,Indoor,Outdoor,Manual
Gain Control	Auto / Manual
Noise Reduction	Ultra DNR (2D/3D)
Motion Detection	Support
Region of Interest	Support
Electronic Image Stabilization (EIS)	Support
Defog	Support
Digital Zoom	16x
Flip	180°
Privacy Masking	Up to 24 areas

### Audio

Compression	G.711a/G.711Mu/AAC/G.722/ G.726/MPEG2-L2
-------------	------------------------------------------

### Network

Ethernet	RJ-45 (10Base-T/100Base-TX)
Protocol	IPv4/IPv6,HTTP,HTTPS,SSL,TCP/IP, UDP,UPnP, ICMP,IGMP,SNMP,RTSP,RTP, SMTP, NTP,DHCP, DNS,PPPOE,DDNS,FTP, IP Filter,QoS,Bonjour,802.1x
Interoperability	ONVIF, PSIA, CGI
Streaming Method	Unicast / Multicast
Max. User Access	20 users
Edge Storage	NAS (Network Attached Storage),Local PC for instant recording, Micro SD card 128GB
Web Viewer	IE, Chrome, Firefox, Safari
Management Software	Smart PSS, DSS
Smart Phone	IOS, Android

### Certifications

Certifications	CE: EN55032/EN55024/EN50130-4 FCC: Part15 subpartB,ANSI C63.4- 2014 UL: UL60950-1+CAN/CSA C22.2.No.60950-1
----------------	------------------------------------------------------------------------------------------------------------------

**Interface**

Video Interface	1 port(BNC, 1.0V[p-p], 75Ω)
RS485	1
Audio I/O	1/1
Alarm I/O	7/2

**Electrical**

Power Supply	AC24V/3A(±25%), Hi-PoE
Power Consumption	24W,38W (IR on)

**Environmental**

Operating Conditions	-40°C ~ 70°C (-40°F ~ +158°F) / Less than 95% RH
Ingress Protection	IP67
Vandal Resistance	IK10

**Construction**

Casing	Metal
Dimensions	Φ240(mm) x 382(mm)
Net Weight	6.8kg(14.99lb)
Gross Weight	10.1kg(22.27lb)

**Ordering Information**

Type	Part Number	Description
5MP PTZ Camera	DH-SD6AE530U-HNI	5MP 30x IR PTZ Network Camera, PAL
	DH-SD6AE530UN-HNI	5MP 30x IR PTZ Network Camera, NTSC
	SD6AE530U-HNI	5MP 30x IR PTZ Network Camera, PAL
	SD6AE530UN-HNI	5MP 30x IR PTZ Network Camera, NTSC
Accessories	PFB303W	Wall Mount
	PFA111	Mount Adapter
	AC24V/3A	Power Adapter
	PFA140	Power Box
	PFB300C	Ceiling Mount
	PFA120	Junction Box
	PFA150	Pole Mount
	PFA151	Corner Mount
	PFB303S	Parapet Mount
	PFA151	Corner Mount
	PFB303S	Parapet Mount

**Accessories**

Included:



PFA111  
Mount Adapter



AC24V/3A  
Power Adapter



PFB303W  
Wall Mount

Optional:



PFA140  
Power Box



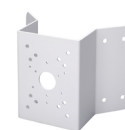
PFB300C  
Ceiling Mount



PFA120  
Junction Box



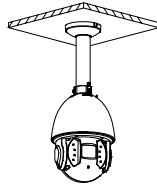
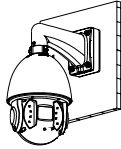
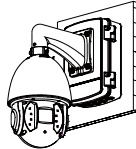
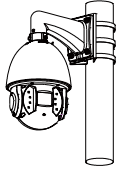
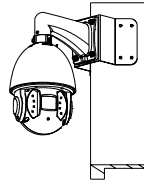
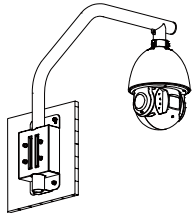
PFA150  
Pole Mount



PFA151  
Corner Mount



PFB303S  
Parapet Mount

Ceiling Mount	Junction Mount
PFA111 + PFB300C	PFA111 + PFB303W + PFA120
	
Power Box Mount	Pole Mount
PFA111 + PFB303W + PFA140	PFA111 + PFB303W + PFA150
	
Corner Mount	Parapet Mount
PFA111 + PFB303W + PFA151	PFA111+ PFB303S
	

Dimensions (mm)

