

5MP Mini Fixed Bullet Network Camera

IPC2125LR3-PF40(60)M-D



Key Features

Optics

- Day/night functionality
- Smart IR , up to 30 m (98 ft) IR distance
- Optical glass window with higher light transmittance
- IR anti-reflection window to increase the infrared transmittance
- 2D/3D DNR (Digital Noise Reduction)

Compression

- Ultra 265,H.265, H.264, MJPEG
- ROI (Region of Interest)

Network

- ONVIF Conformance

Structure

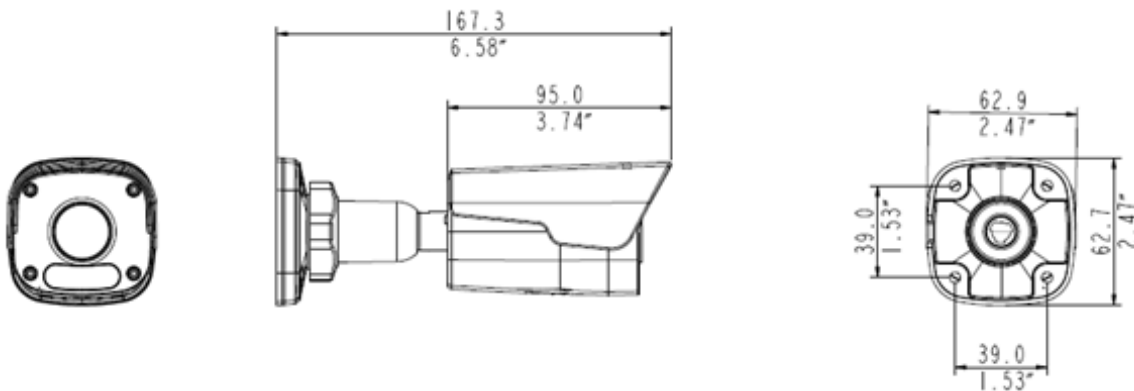
- Wide temperature range: -30°C to 60°C (-22°F to 140°F)
- Wide voltage range of $\pm 25\%$
- IP67
- 3-Axis

Specifications

	IPC2125LR3-PF40M-D	IPC2125LR3-PF60M-D			
Camera					
Sensor	1/2.7", 5.0 megapixel, progressive scan, CMOS				
Lens	4.0mm@F2.0		6.0mm@F2.0		
DORI Distance	Lens	Detect(m)	Observe(m)	Recognize(m)	Identify(m)
	4.0mm	60	24	12	6
	6.0mm	90	36	18	9
Angle of View (H)	79.7°		50.5°		
Angle of View (V)	51.8°		35.9°		
Angle of View (O)	98.0°		62.1°		
Adjustment angle	Pan: 0°~360°		Tilt: 0°~90°		Rotate: 0°~360°
Shutter	Auto/Manual, 1~1/100000 s				
Minimum Illumination	Colour: 0.01 Lux (F2.0, AGC ON) 0 Lux with IR on				
Digital noise reduction	2D/3D DNR				
Day/Night	IR-cut filter with auto switch (ICR)				
S/N	>52dB				
IR Range	Up to 30m (98 ft) IR range				
WDR	DWDR				
Video					
Video Compression	Ultra 265, H.265, H.264, MJPEG				
H.264 code profile	Baseline profile, Main Profile, High Profile				
Frame Rate	Main Stream: 5MP (2592*1944): Max.15fps; Sub Stream: 720P (1280*720): Max.20fps;				
HLC	Supported				
BLC	Supported				
OSD	Up to 4 OSDs				
Privacy Mask	Up to 8 areas				
ROI	Up to 2 areas				

Motion Detection	Up to 4 areas
Network	
Protocols	IPv4, IGMP, ICMP, ARP, TCP, UDP, DHCP, RTP, RTSP, RTCP, DNS, DDNS, NTP, FTP, UPnP, HTTP, HTTPS, SMTP, SSL
Compatible Integration	ONVIF(Profile S), API
Interface	
Network	10/100M Base-TX Ethernet
General	
Power	12 V DC±25%, PoE (IEEE802.3 af)
	Power consumption: Max 4W
Dimensions (L × W × H)	167.3 × 62.9 × 62.7 mm (6.6" × 2.5" × 2.5")
Weight	0.37kg (0.81lb)
Working Environment	-30°C ~ +60°C (-22°F ~ 140°F), Humidity :10%~90% RH(non-condensing)
Ingress Protection	IP67

Dimensions



Zhejiang Uniview Technologies Co., Ltd.

Building No.10, Wanlun Science Park, Jiangling Road 88, Binjiang District, Hangzhou, Zhejiang, China (310051)

Email: overseasbusiness@uniview.com; globalsupport@uniview.com

<http://www.uniview.com>

©2018 Zhejiang Uniview Technologies Co., Ltd. All rights reserved.

*Product specifications and availability are subject to change without notice.