

2MP VF Vandal-resistant Network IR Bullet Camera

IPC2322LBR3-SP(Z28)-D



Key Features

Optics

- Day/night functionality
- Smart IR , up to 30 m (98 ft) IR distance
- IR anti-reflection window to increase the infrared transmittance
- 2D/3D DNR (Digital Noise Reduction)

Compression

- Ultra 265,H.265, H.264, MJPEG
- Triple streams

Network

- ONVIF Conformance

Structure

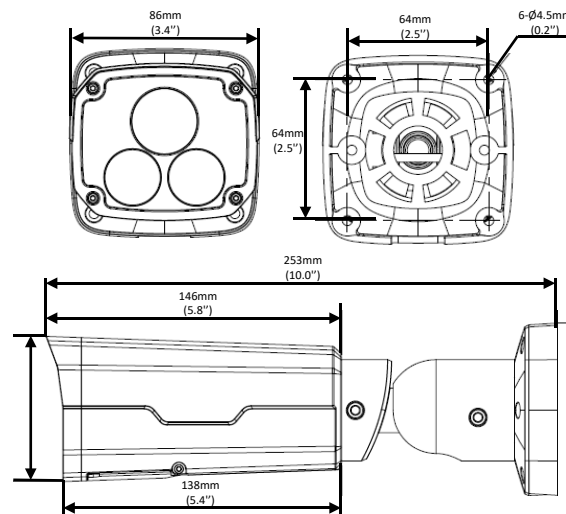
- Wide temperature range: -30°C to 60°C (-22°F to 140°F)
- Wide voltage range of ±25%
- IP67
- 3-Axis

Specifications

	IPC2322LBR3-SP-D	IPC2322LBR3-SPZ28-D			
Camera					
Sensor	1/2.7", 2.0 megapixel, progressive scan, CMOS				
Lens	2.8~12 mm, manual zoom lens			2.8~12 mm, motorized zoom lens	
DORI Distance	Lens	Detect(m)	Observe(m)	Recognize(m)	Identify(m)
	2.8mm	42	16.8	8.4	4.2
	12mm	180	72	36	18
Angle of View (H)	112.7° ~28.1°				
Angle of View (V)	60.1° ~15.4°				
Angle of View (O)	146.5° ~33.2°				
Adjustment angle	Pan: 0°~360°		Tilt: 0°~90°		Rotate: 0°~360°
Shutter	Auto/Manual, 1~1/100000 s				
Minimum Illumination	Colour: 0.01 Lux (F1.6, AGC ON) 0 Lux with IR on				
Digital noise reduction	2D/3D DNR				
Day/Night	IR-cut filter with auto switch (ICR)				
S/N	>52dB				
IR Range	Up to 30m (98 ft) IR range				
WDR	DWDR				
Video					
Video Compression	Ultra 265,H.265, H.264, MJPEG				
H.264 code profile	Baseline profile, Main Profile, High Profile				
Frame Rate	Main Stream:1080P (1920×1080): Max. 30 fps; Sub Stream:720P (1280×720): Max. 30 fps; Third Stream: D1(704×576): Max. 30 fps				
HLC	Supported				
BLC	Supported				
OSD	Up to 4 OSDs				
Privacy Mask	Up to 8 areas				

ROI	Up to 2 areas
Motion Detection	Up to 4 areas
Network	
Protocols	IPv4, IGMP, ICMP, ARP, TCP, UDP, DHCP, RTP, RTSP, RTCP, DNS, DDNS, NTP, FTP, UPnP, HTTP, HTTPS, SMTP, SSL
Compatible Integration	ONVIF(Profile S, Profile G), API
Interface	
Network	1 RJ45 100M Base-TX Ethernet
Edge Storage	MicroSD, up to 128GB
General	
Power	12 V DC±25%, PoE (IEEE802.3 af)
	Power consumption: Max 6.5W
Dimensions (L × W × H)	253.4×86×71.7mm(9.98"×3.4"×2.8")
Weight	1kg (2.2lb)
Working Environment	-30°C ~ +60°C (-22°F ~ 140°F), Humidity :10%~90% RH(non-condensing)
Ingress Protection	IP67

Dimensions



Zhejiang Uniview Technologies Co., Ltd.

Building No.10, Wanlun Science Park, Jiangling Road 88, Binjiang District, Hangzhou, Zhejiang, China (310051)

Email: overseasbusiness@uniview.com; globalsupport@uniview.com

<http://www.uniview.com>

©2018 Zhejiang Uniview Technologies Co., Ltd. All rights reserved.

*Product specifications and availability are subject to change without notice.