

# KIT/301-04LB-P4/4\*2122LR3-PF40-D

## Key Features

### **NVR301-04LB-P4**

- Support Ultra 265/H.265/H.264 video formats
- 4 channel input
- Plug & Play with 4 independent PoE network interfaces
- Third-party IP cameras supported with ONVIF conformance: Profile S, Profile G, Profile C, Profile Q, Profile A, Profile T
- Support 1-ch HDMI, 1-ch VGA
- HDMI and VGA simultaneous output
- Up to 3 Megapixels resolution recording
- 1 SATA HDD up to 8 TB
- ANR technology to enhance the storage reliability when the network is disconnected
- Support cloud upgrade

### **IPC2122LR3-PF40-D**

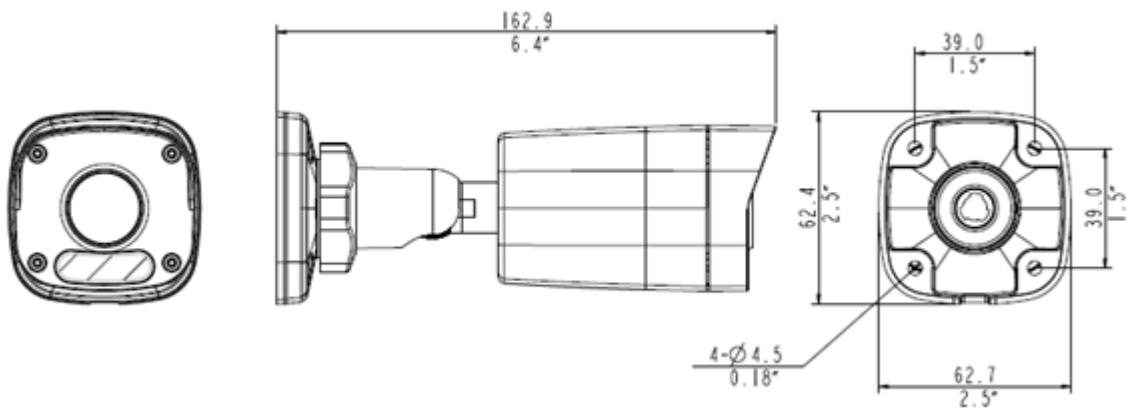
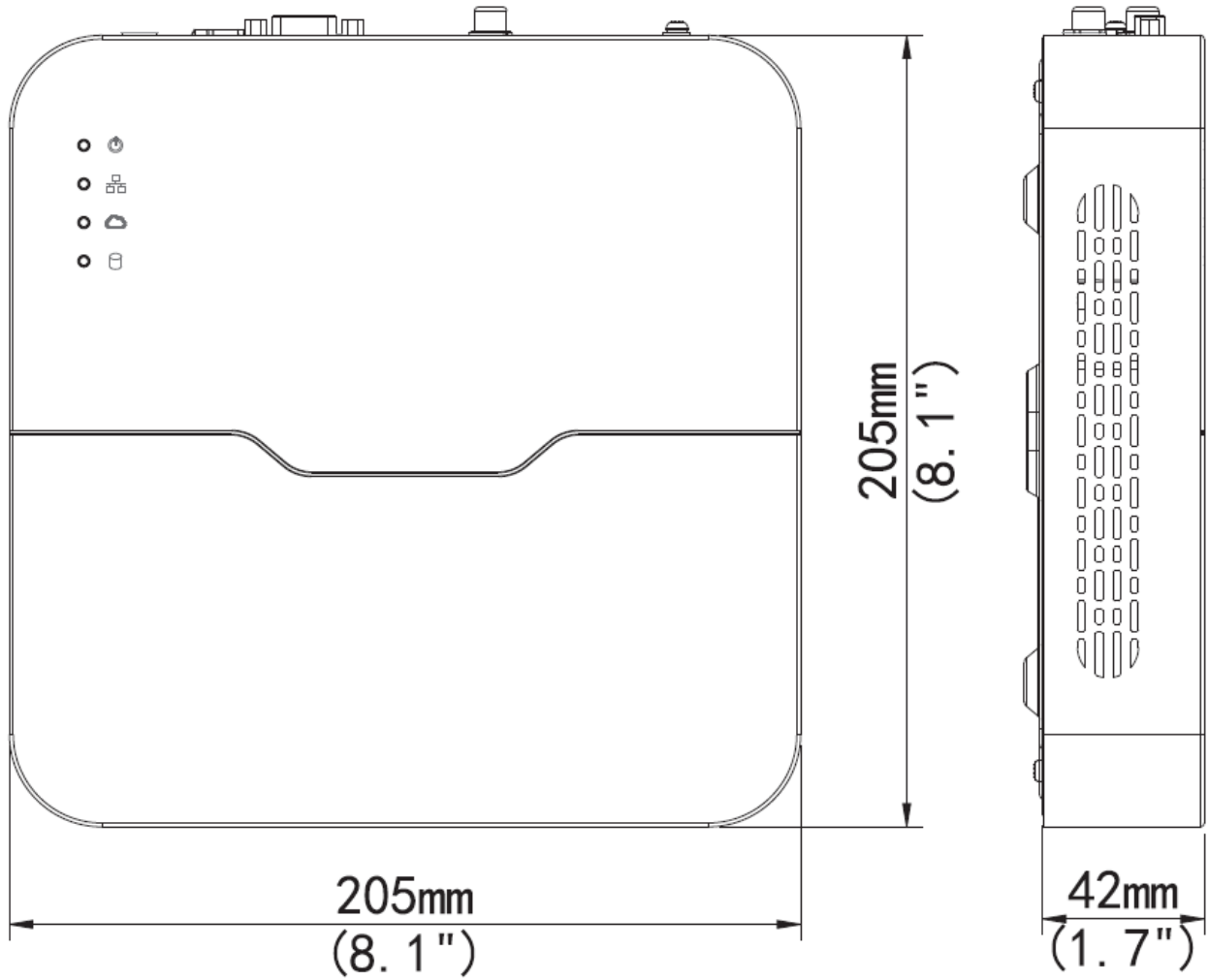
- Day/night functionality
- SmartIR, up to 30 m (98 ft) IR distance
- Optical glass window with higher light transmittance
- IR anti-reflection window to increase the infrared transmittance
- 2D/3D DNR (Digital Noise Reduction)
- Triple streams
- IP66

## Specifications

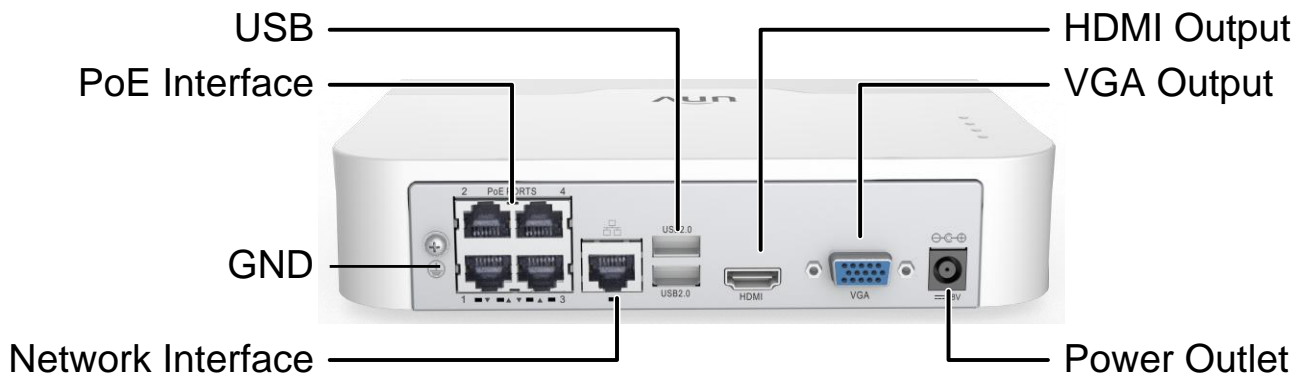
Model	NVR301-04LB-P4
<b>Video/Audio Input</b>	
IP Video Input	4-ch
<b>Network</b>	
Incoming Bandwidth	40Mbps
Outgoing Bandwidth	40Mbps
Remote Users	128
Protocols	P2P, UPnP, NTP, DHCP, PPPoE, SSL, TLS, SNMP, HTTPS
<b>Video/Audio Output</b>	
HDMI/VGA Output	HDMI: 1920x1080p /60Hz, 1920x1080p /50Hz, 1600x1200 /60Hz, 1280x1024 /60Hz, 1280x720 /60Hz, 1024x768 /60Hz VGA: 1920x1080p /60Hz, 1920x1080p /50Hz, 1600x1200 /60Hz, 1280x1024 /60Hz, 1280x720 /60Hz, 1024x768 /60Hz
Recording Resolution	1080p/960p/720p/D1/2CIF/CIF
Synchronous Playback	4-ch
Corridor Mode Screen	1/3
<b>Decoding</b>	
Decoding format	Ultra 265/H.265/H.264
Liveview/ Playback	1080p/960p/720p/D1/2CIF/CIF
Capability	2 x 1080p@30, 4 x 720p@30
<b>Hard Disk</b>	
SATA	1 SATA interface
Capacity	up to 8TB for each disk
<b>External Interface</b>	
Network Interface	1 RJ-45 10M/100M self-adaptive Ethernet Interface
USB Interface	Rear panel: 2 x USB2.0
<b>PoE</b>	
Interface	4 independent 100 Mbps PoE network interfaces
Max Power	Max 30W for single port Max 54W in total ( 13.5W for each)
Supported Standard	IEEE 802.3at, IEEE 802.3af
<b>General</b>	
Power Supply	48V DC Power Consumption: ≤9 W( without HDD )
Working Environment	-10°C ~ + 55°C ( +14°F ~ +131°F ), Humidity ≤ 90% RH(non-condensing)
Dimensions(W×D×H)	205mm×205 mm ×42 mm(8.1"×8.1"×1.7")
Weight ( without HDD )	0.59kg ( 1.3 lb )

Model	IPC2122LR3-PF40-D				
<b>Camera</b>					
Sensor	1/2.7", 2.0 megapixel, progressive scan, CMOS				
Lens	4.0mm@F1.8				
DORI Distance	Lens	Detect(m)	Observe(m)	Recognize(m)	Identify(m)
	4mm	60	24	12	6
Angle of View(H)	86.5°				
Angle of View (V)	30.2°				
Angle of View (O)	106.4°				
Adjustmentangle	Pan: 0°~360°		Tilt:0°~90°		Rotate:0°~360°
Shutter	Auto/Manual, 1/6~1/100000 s				
Minimum Illumination	Colour: 0.02 Lux (F1.8, AGC ON) 0 Lux with IR on				
Digital noise reduction	2D/3D DNR				
Day/Night	IR-cut filter with auto switch (ICR)				
S/N	>52dB				
IR Range	Up to 30m (98 ft) IR range				
WDR	DWDR				
<b>Video</b>					
Video Compression	Ultra 265,H.265, H.264, MJPEG				
H.264 code profile	Baseline profile, Main Profile, High Profile				
Frame Rate	Main Stream:2MP (1920×1080): Max. 30 fps; Sub Stream:720P (1280×720): Max. 30 fps; Third Stream: D1 (704×576): Max.30 fps				
HLC	Supported				
BLC	Supported				
OSD	Up to 4 OSDs				
Privacy Mask	Up to 8 areas				
ROI	Up to 2areas				
Motion Detection	Up to 4 areas				
<b>Network</b>					
Protocols	IPv4, IGMP, ICMP, ARP, TCP, UDP, DHCP, RTP, RTSP, RTCP, DNS, DDNS, NTP, FTP, UPnP, HTTP, HTTPS, SMTP, SSL, TLS				
Compatible Integration	ONVIF(Profile S, Profile G), API				
<b>Interface</b>					
Network	1 RJ45 10M/100M Base-TX Ethernet				
<b>General</b>					
Power	12 V DC±25%,PoE (IEEE802.3 af)				
	Power consumption: Max 5.0W				
Dimensions (L × W × H)	162.9 × 62.4 ×62.7 mm (6.4" × 2.5" × 2.5")				
Weight	0.25kg (0.55lb)				
Working Environment	-30°C ~ +60°C (-22°F ~ 140°F), Humidity :10%~95% RH(non-condensing)				
Ingress Protection	IP66				

## Dimensions



## Rear Panel



**Zhejiang Uniview Technologies Co.,Ltd.**

Building No.10, Wanlun Science Park, Jiangling Road 88, Binjiang District, Hangzhou, Zhejiang, China

Email: [overseasbusiness@uniview.com](mailto:overseasbusiness@uniview.com); [globalsupport@uniview.com](mailto:globalsupport@uniview.com)

<http://www.uniview.com>

©2011-2018 Zhejiang Uniview Technologies Co.,Ltd. All rights reserved.

\*Product specifications and availability are subject to change without notice.