

2MP 30x IR Network PTZ Dome Camera

IPC6222ER-X30(P)-B



Key Features

Optics

- 30X Optical Zoom
- Accurate and fast focusing
- Smart IR, up to 150 m (492ft) IR distance
- Optical glass window with higher light transmittance
- IR anti-reflection window to increase the infrared transmittance
- 120dB true WDR

Compression

- Ultra 265, H.265, H.264, MJPEG
- Embedded smart algorithm
- Triple streams
- Customized OSD

Network

- ONVIF Conformance

Structure

- Innovative snow-removing functionality
- More effective heat dissipation system
- Intelligent temperature control technology
- 6 KV surge protection designed for network interface

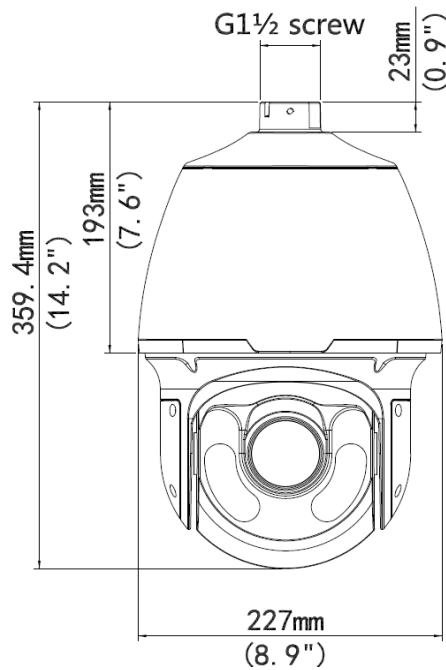
Specifications

| | IPC6222ER-X30-B | IPC6222ER-X30P-B | | | |
|-------------------------|--|------------------|------------|--------------|-------------|
| Camera | | | | | |
| Sensor | 1/2.8", progressive scan, 2.0 megapixel, CMOS | | | | |
| Lens | 4.5 ~ 135 mm , AF automatic focusing and motorized zoom lens | | | | |
| Digital Zoom | 16 | | | | |
| Optical Zoom | 30 | | | | |
| DORI Distance | Lens | Detect(m) | Observe(m) | Recognize(m) | Identify(m) |
| | 4.5mm | 69.8 | 27.9 | 14 | 7 |
| | 135mm | 2094.8 | 837.9 | 419 | 209.5 |
| Angle of View (H) | 71.7°~ 2.4° | | | | |
| Angle of View (V) | 43.4°~1.3° | | | | |
| Angle of View (O) | 88.2°~2.8° | | | | |
| Shutter | Auto/Manual; shutter time: 1 ~ 1/100000 s | | | | |
| Minimum Illumination | Colour: 0.01 lux (F1.5, AGC ON) 0 lux with IR | | | | |
| Iris | Auto/Manual; F1.5 ~ F4.0 | | | | |
| Day/Night | IR-cut filter with auto switch (ICR) | | | | |
| Digital noise reduction | 2D/3D DNR | | | | |
| S/N | >52dB | | | | |
| IR Range | Up to 150 m (492 ft) | | | | |
| Defog | Digital Defog | | | | |
| WDR | 120dB | | | | |
| Video | | | | | |
| Video Compression | Ultra 265, H.265, H.264, MJPEG | | | | |
| H.264 code profile | Baseline profile, Main Profile, High Profile | | | | |
| Frame Rate | Main Stream: 2MP (1920×1080): Max. 30 fps; Sub Stream: 2MP (1920×1080): Max. 30 fps; Third Stream: D1 (720×576): Max. 30 fps | | | | |
| HLC | Supported | | | | |
| BLC | Supported | | | | |

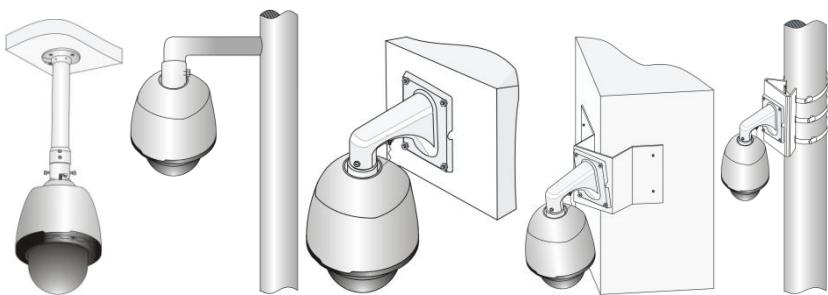
| | |
|----------------------------|--|
| EIS | Supported |
| OSD | Up to 8 OSDs |
| Privacy Mask | Up to 24 areas |
| ROI | Up to 8 areas |
| Motion Detection | Up to 4 areas |
| Smart | |
| Behavior Detection | Intrusion, cross line, motion detection, auto tracking |
| Intrusion | Enter and loiter in a pre-defined virtual region |
| cross line | Cross a pre-defined virtual line |
| motion detection | Moving within a pre-defined virtual region |
| auto tracking | Tracking the specified target |
| Recognition | Face detection、Audio detection |
| Intelligent Identification | Defocus, Scene Change, Object Left, Object Moving |
| Statistical Analysis | People counting |
| General Function | Watermark, IP Address Filtering, Tampering Alarm, Alarm input, Alarm output, Access Policy, ARP Protection, RTSP Authentication, User Authentication |
| Audio | |
| Audio Compression | G.711 |
| Two-way audio | Supported |
| Suppression | Supported |
| Sampling Rate | 8 KHZ |
| Storage | |
| Edge Storage | Micro SD, up to 128 GB |
| Network Storage | ANR |
| Network | |
| Protocols | IPv4, IGMP, ICMP, ARP, TCP, UDP, DHCP, PPPoE, RTP, RTSP, RTCP, DNS, DDNS, NTP, FTP, UPnP, HTTP, HTTPS, SMTP, 802.1x, SNMP |
| Compatible Integration | ONVIF(Profile S, Profile G), API |
| Pan & Tilt | |
| Pan Range | 360° (endless) |
| Pan Speed | 0.1°/s ~ 240°/s |
| | Preset speed: 300°/s |
| Tilt Range | -15° ~ +90° (auto reverse) |
| Tilt Speed | 0.1° ~ 160°/s |
| | Preset speed: 240°/s |
| Number of Presets | 1024 |
| Patrol | Up to 16 patrols, up to 32 presets per patrol Note: The total number of patrols and patterns is 16. |
| Home Position | Supported |
| Interface | |
| Audio I/O | Audio cable |
| | Input: impedance 35 kΩ; amplitude 2 V [p-p] |
| | Output: impedance 600 Ω; amplitude 2 V [p-p] |
| Alarm I/O | 1/ 1 |
| Network | 1RJ45 10M/100M Base-TX Ethernet |

| General | | |
|---------------------|---|---|
| Power | 24 V AC±25%, 24 V DC±25% | 24 V AC±25%, 24 V DC±25%,PoE (PSE Required) |
| | Power consumption: 9 ~ 42W | |
| Dimensions(ØxH) | Ø227x359.4 mm (Ø8.9" x 14.2") | |
| Weight | 5.28 kg (11.6lb) | |
| Working Environment | -40°C ~ 65°C (-40°F ~ 149°F), Humidity:10%~95% RH(non-condensing) | |
| Ingress Protection | IP66 | |

Dimensions



Installation



Pendant mount Standing pole mount Wall mount Corner mount Pole mount

Zhejiang Uniview Technologies Co., Ltd.

Building No.10, Wanlun Science Park, Jiangling Road 88, Binjiang District, Hangzhou, Zhejiang, China (310051)

Email: overseasbusiness@uniview.com; globalsupport@uniview.com

<http://www.uniview.com>

©2016 -2018 Zhejiang Uniview Technologies Co., Ltd. All rights reserved.

*Product specifications and availability are subject to change without notice.