

# Network Video Recorder

## NVR301-L-P Series



NVR301-L-P

### Key Features

- Support Ultra 265/H.265/H.264 video formats
- 4/8/16-channel input
- Plug & Play with 4/8 independent PoE network interfaces
- Third-party IP cameras supported with ONVIF conformance: Profile S, Profile G, Profile T
- Support 1-ch HDMI, 1-ch VGA, HDMI at up to 4K(3840x2160) resolution
- HDMI and VGA simultaneous output
- Up to 8 Megapixels resolution recording
- 1 SATA HDD up to 8 TB
- ANR technology to enhance the storage reliability when the network is disconnected
- Support cloud upgrade

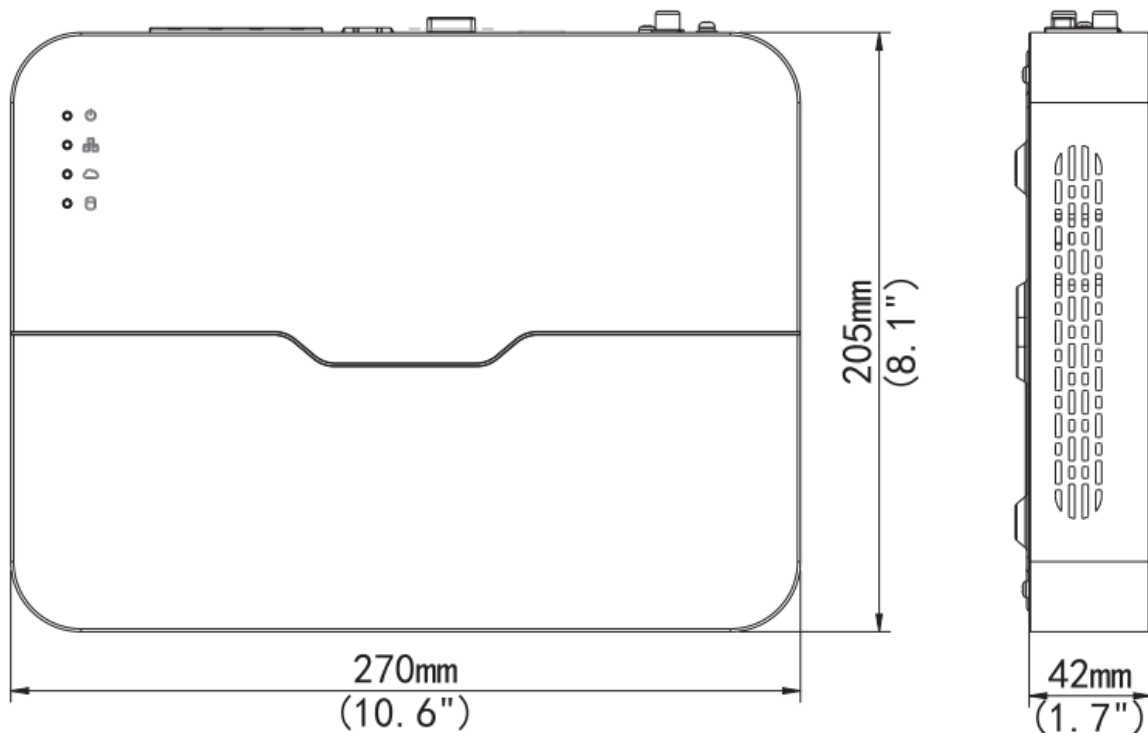
## Specifications

Model	NVR301-04L-P4	NVR301-08L-P8	NVR301-16L-P8
<b>Video/Audio Input</b>			
IP Video Input	4-ch	8-ch	16-ch
Two-way Audio Input	1-ch, RCA		
<b>Network</b>			
Incoming Bandwidth	40Mbps	60Mbps	60Mbps
Outgoing Bandwidth	64Mbps	64Mbps	80Mbps
Remote Users	128		
Protocols	P2P, UPnP, NTP, DHCP, PPPoE		
<b>Video/Audio Output</b>			
HDMI/VGA Output	HDMI: 4K (3840x2160) /30Hz, 1920x1080p /60Hz, 1920x1080p /50Hz, 1600x1200 /60Hz, 1280x1024 /60Hz, 1280x720 /60Hz, 1024x768 /60Hz VGA: 1920x1080p /60Hz, 1920x1080p /50Hz, 1600x1200 /60Hz, 1280x1024 /60Hz, 1280x720 /60Hz, 1024x768 /60Hz		
Recording Resolution	8MP/6MP/5MP/4MP/3MP/1080p/960p/720p/D1/2CIF/CIF		
Audio Output	1-ch, RCA		
Synchronous Playback	4-ch	8-ch	16-ch
Corridor Mode Screen	3/4	3/4/5/7/9	3/4/5/7/9/10/12/16
<b>Decoding</b>			
Decoding format	Ultra 265, H.265, H.264		
Live view/ Playback	8MP/6MP/5MP/4MP/3MP/1080p/960p/720p/D1/2CIF/CIF		
Capability	1 x 4K@30, 2 x 4MP@30, 4 x 1080p@30, 8 x 720p@30, 16 x D1		
<b>Hard Disk</b>			
SATA	1 SATA interface		
Capacity	up to 8TB for each disk		
<b>Smart</b>			
VCA Detection	Face detection, Intrusion detection, Cross line detection, Audio detection, Defocus detection, Scene change detection, Auto tracking		
VCA Search	Face search, Behavior search		
Statistical Analysis	People counting		
<b>External Interface</b>			
Network Interface	1 RJ-45 10M/100M self-adaptive Ethernet Interface		
USB Interface	Rear panel: 2 x USB2.0		
<b>PoE</b>			
Interface	4 independent 100 Mbps PoE	8 independent 100 Mbps PoE network interfaces	

	network interfaces	
Max Power	Max 30W for single port Max 54W in total ( 13.5W for each )	Max 30W for single port Max 108W in total ( 13.5W for each )
Supported Standard	IEEE 802.3at, IEEE 802.3af	
<b>General</b>		
Power Supply	48V DC Power Consumption: ≤ 8 W( without HDD )	52V DC Power Consumption: ≤ 8 W( without HDD )
Working Environment	-10°C ~ + 55°C ( +14°F ~ +131°F ), Humidity ≤ 90% RH(non-condensing)	
Dimensions(W×D×H)	42 × 205 × 205mm ( 1.7" × 8.1" × 8.1" )	270mm×205mm × 42mm (10.6" ×8.1"× 1.7")
Weight ( without HDD )	0.59kg ( 1.3 lb )	≤ 0.68 Kg ( 1.50 lb )

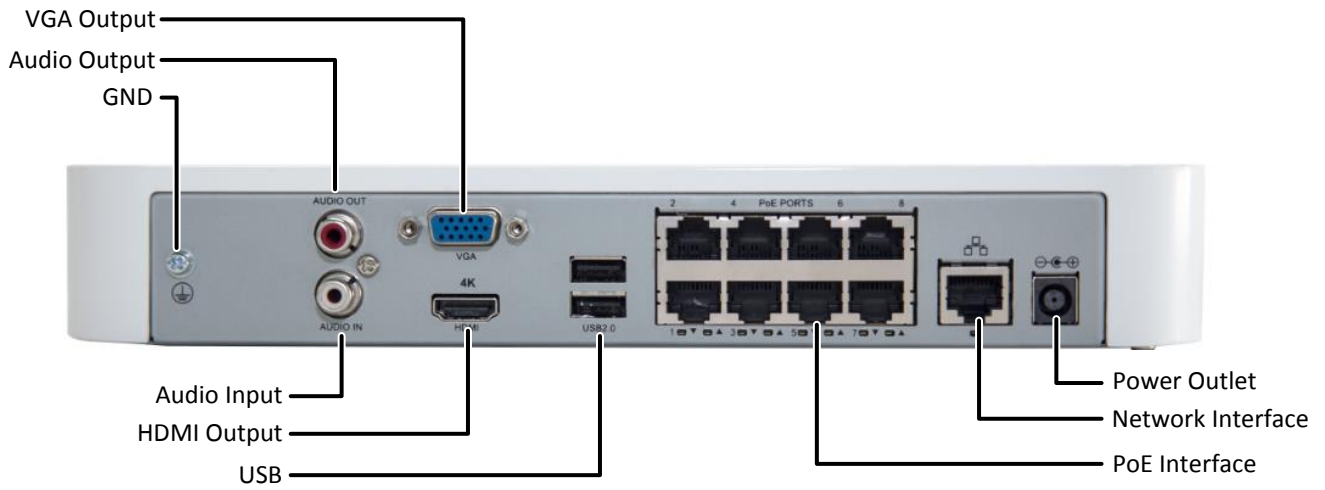
## Dimensions

Take NVR301-08L-P8 for example



## Rear Panel

Take NVR301-08L-P8 for example



### Zhejiang Uniview Technologies Co., Ltd.

Building No.10, Wanlun Science Park, Jiangling Road 88, Binjiang District, Hangzhou, Zhejiang, China

Email: [overseasbusiness@uniview.com](mailto:overseasbusiness@uniview.com); [globalsupport@uniview.com](mailto:globalsupport@uniview.com)

<http://www.uniview.com>

©2011-2018 Zhejiang Uniview Technologies Co.,Ltd. All rights reserved.

\*Product specifications and availability are subject to change without notice.