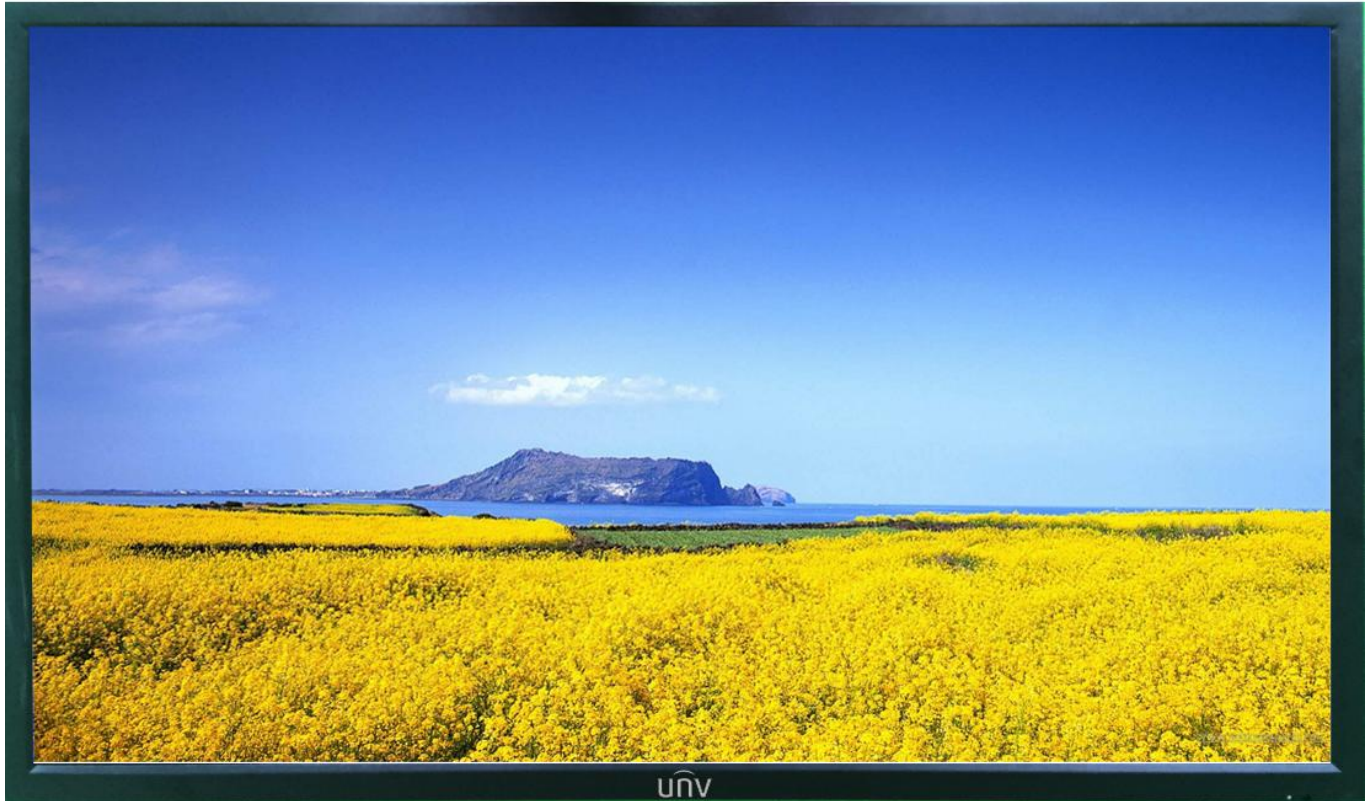


32" LED FHD Monitor

MW3232-E



Key Features

- Covered with Tamper-proof metal housing, no radiation
- LED backlight technology with full HD 1920×1080
- High fidelity digital processing, brilliant and vivid video
- Wide view of field:178°(H)/ 178°(V)
- User-friendly operation menu, which is simple to operate
- Lower power consumption and long life cycle
- Adaptively recognize signal
- VESA stand bracket
- Support abundant interfaces

Specifications

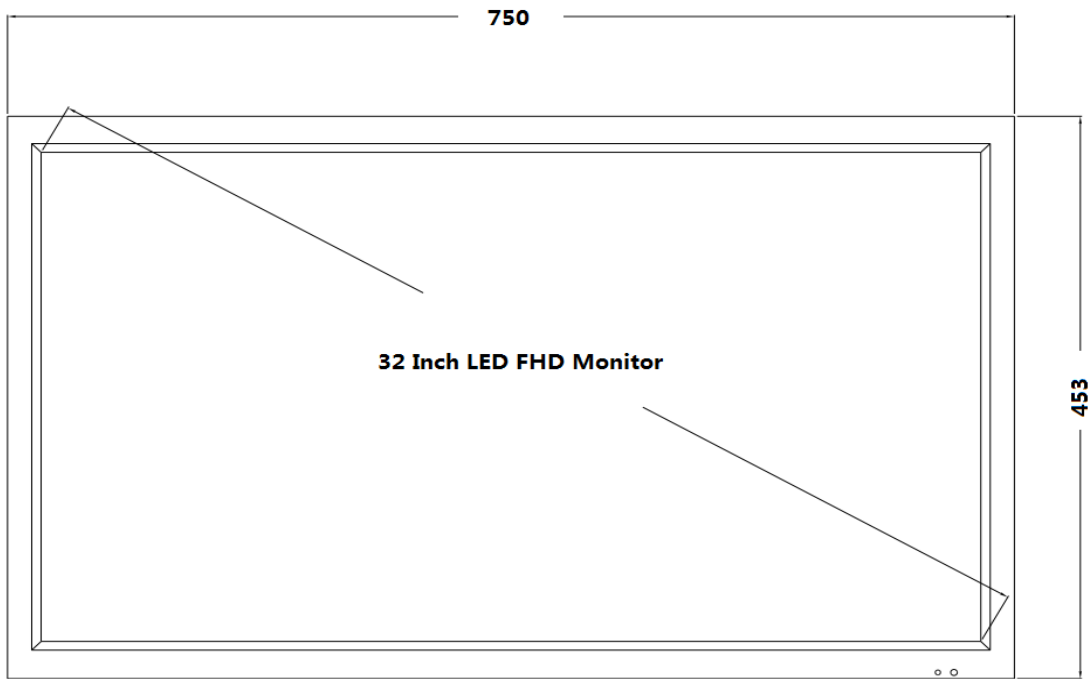
Model	MW3232-E
Display	
Display Type:	LED Backlight
Screen Size	32"
Pixel Pitch(mm)	0.364× 0.364
Max Resolution	1920×1080
Brightness	300 cd/m ²
Contrast	1400:1
Response Time	8ms
color	16.7M
Viewing Angle	Horizontal 178°, Vertical 178°
Interface	
VGA	1
HDMI	1
DVI	1
Audio	1
Audio	
Audio Input	1, 3.5 mm mini-jack
Speaker	2× 3W
OSD	
Multi- Language	12 (English, French, German, Italian, Simplified Chinese, Espanol, Portuguese, Russian,Korean,Nederlands,Turkic,PolSKI)
Mounting	
VESA	200× 240 , 200× 300
General	
Power supply	AC 100~240V, 50~60Hz
Consumption	<70 W(on) <1W(Standby)
Operation Temperature	0°C ~ 50 °C
Operating Humidity	10%~90% (No Condensation)
Storage Temperature	-10°C ~ 60°C
Storage Humidity	10%~90% (No Condensation)
Dimension (W×H×D)	750mm × 453 mm × 48 mm
Weight:	Net Weight:12 Kg Cross Weight: 13.5Kg
Accessory	
Standard	HDMI cable, Power cable ,Remote control, Quick Guide

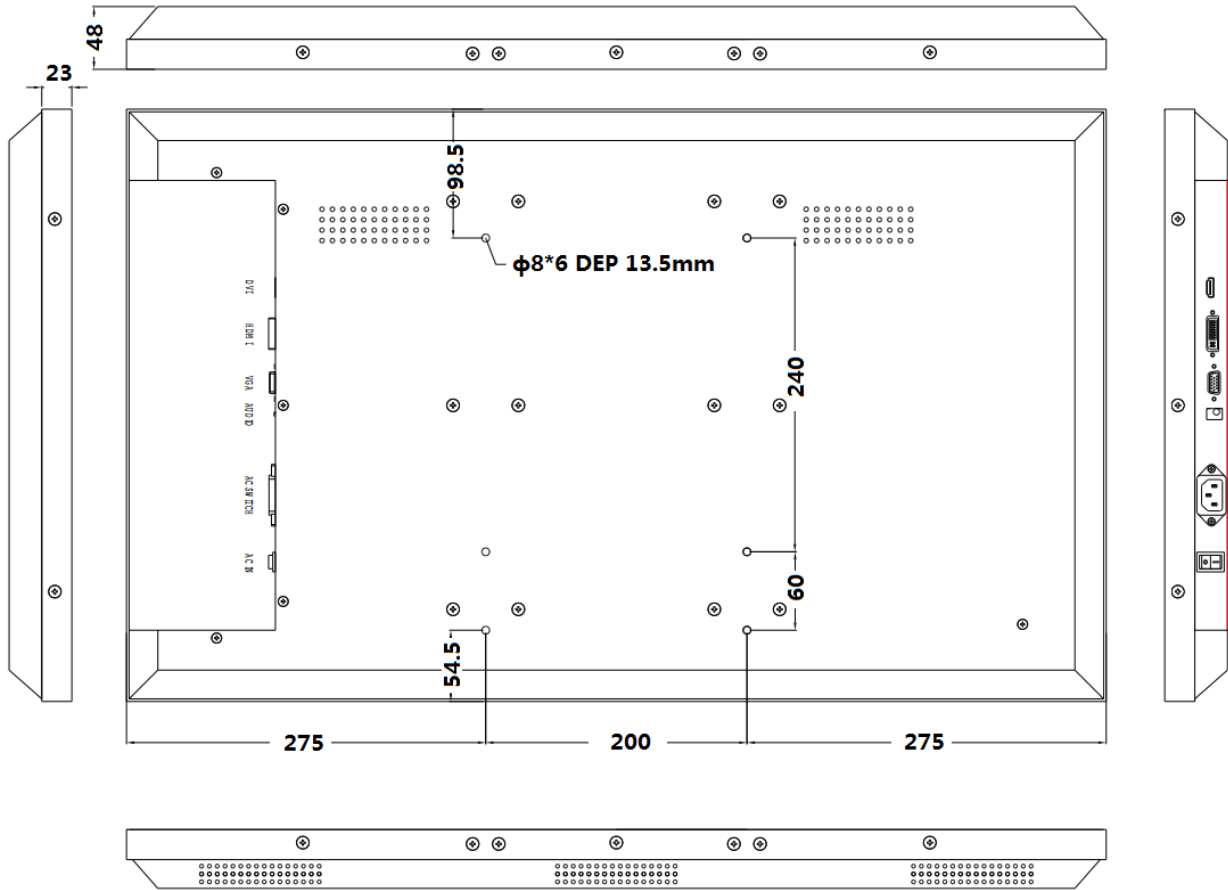
Optional

Hanging bracket, Pedestal

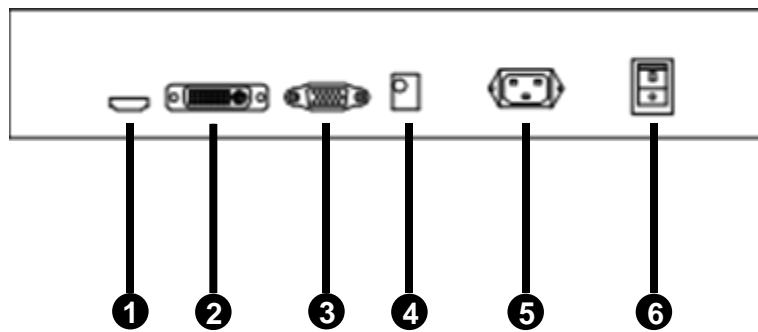
Appearance

Dimensions





Interfaces



No.	Name
1	HDMI IN
2	DVI IN
3	VGA IN
4	AUDIO IN
5	AC Power IN
6	Switch

Building No.10, Wanlun Science Park, Jiangling Road 88, Binjiang District, Hangzhou, Zhejiang, China

Email: overseasbusiness@uniview.com; globalsupport@uniview.com

<http://www.uniview.com>

©2017 Zhejiang Uniview Technologies Co.,Ltd. All rights reserved.

*Product specifications and availability are subject to change without notice.