

# DH-PFA142

Outdoor Surveillance Box



## Features

- All-aluminum shell design, IP66, IK10
- Satisfy the installation of power supply, switch, MNVR and protective devices
- Optional fans for high temperature heat dissipation
- Tamper alarm function with an optional alarm switch
- Aesthetic design, easy installation

## Technical Specification

**Model** DH-PFA142

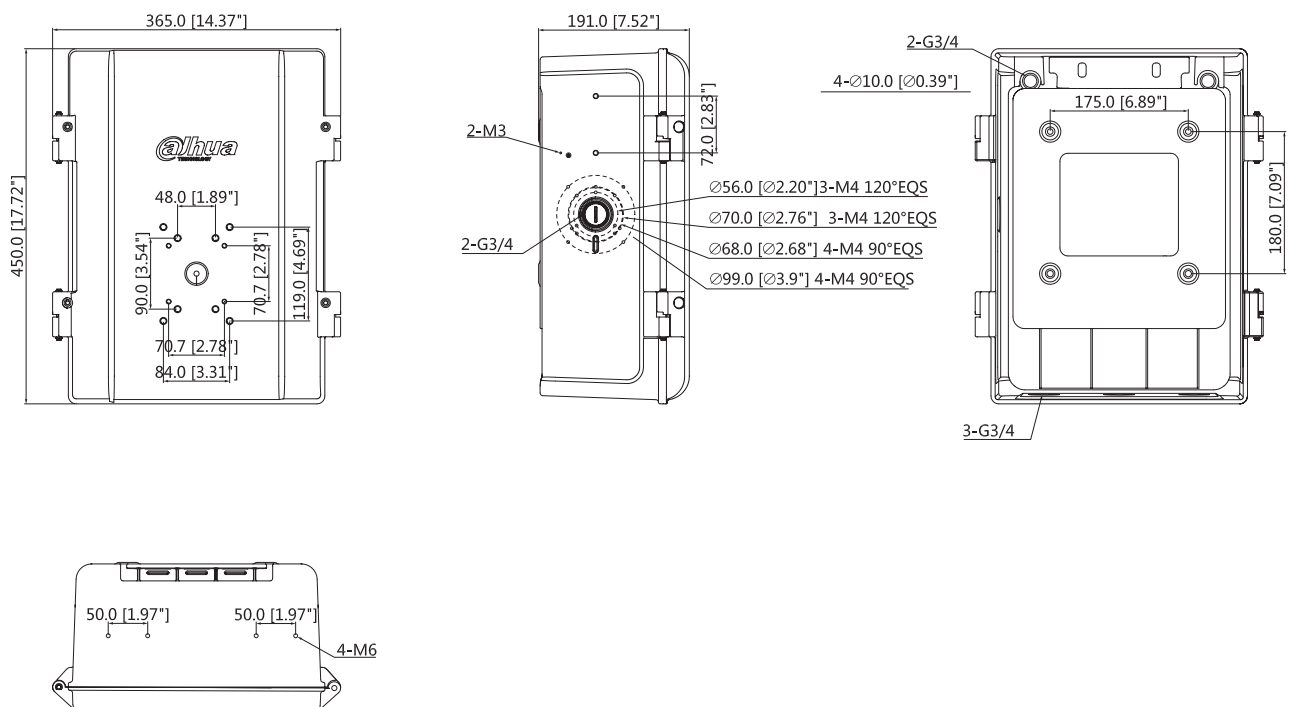
### General

|                       |   |
|-----------------------|---|
| Material              | Aluminum & SECC   |
| Dimension (WxHxD)     | 450mmx365mmx191mm (17.72"x14.37"x7.52")   |
| Weight                | 9kg (19.84lb)   |
| Load Bearing (front)  | 10kg (22.05lb)  |
| Load Bearing (side)   | 6kg (13.23lb)   |
| Load Bearing (inside) | 5kg (11.02lb)   |
| Color                 | White   |
| Operating Temperature | -40 °C ~+60 °C (-40 °F ~+140 °F)  |
| Humidity              | 0~90% RH  |
| Installation          | Wall mount  |
| Applicable Model      | Please see "Accessory Selector" on <a href="http://www.dahuasecurity.com">www.dahuasecurity.com</a> |

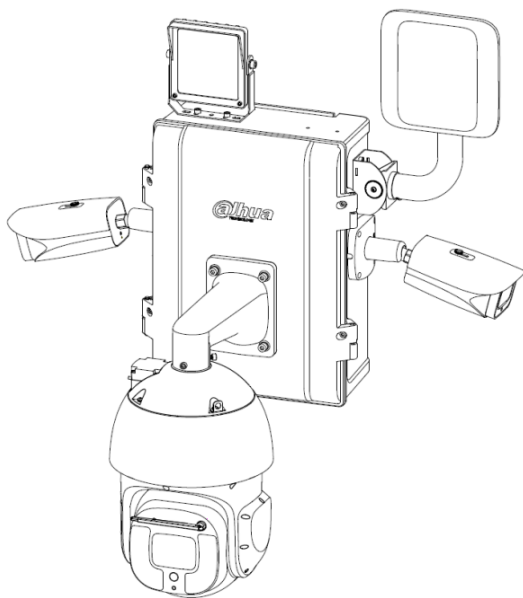
## Ordering Information

| Type                | Part Number | Description              |
|---------------------|-------------|--------------------------|
| Camera Mount Series | DH-PFA142   | Outdoor surveillance box |
|                     | PFA142      | Outdoor surveillance box |

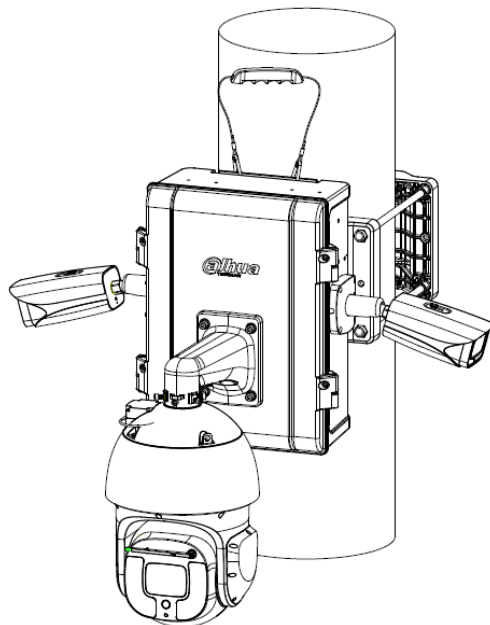
## Dimension(mm/inch)



## Application



Wall mount



Pole mount

## Package Information

- Outdoor surveillance box DH-PFA142 \*1
- M8x80 expansion bolt \*4
- M8x30 screw \*4
- M6x10 bolt \*8
- M4x10 screw \*8
- M4x14 screw \*4
- M4x8 screw \*6
- M3x8 screw \*2
- S3.0 wrench \*1
- S5.0 wrench \*1
- S6.0 wrench \*1
- Water joint \*5
- Sealing plug \*2
- Sealing ring \*1
- Assistant handle \*1
- Terminal block \*2
- Rail block \*3
- User manual \*1