

PFM802P

Video/Power Balun KIT



Features

- Advantages: Use DC12V 0.7A*4 power adapter to provide 4-CH power supply for remote cameras, simultaneously simplify engineering wiring;
- Transmission effect: Use single network cable (UTP CAT5E/6) real-time transmit, no delay;
- Protection: Excellent anti-thunder, anti-static and anti-interference capabilities;
- Compatible format: HDCVI/TVI/AHD/CVBS.

Technical Specification

Model PFM802P

Video Balun Properties

Coaxial Video Connector	BNC-M
Connection Way	RJ45
Compatible Format	HDCVI/TVI/AHD/CVBS
Resolution	720P/1080P/4MP
BNC Male Impedance	75 ohms
UTP Cable Impedance	100 ohms
Weight	85g (0.19lb)
Dimension(LxWxH)	61.5mmx33.5mmx20.5mm (2.42"x1.32"x0.81")
Shell	ABS
Color	Black

Power Adapter Properties

Input Voltage Range	AC100~240V, 50/60Hz, max. 0.6A
Output	DC12V (+7%,-3%)_0.7A (±3%) *4
Weight	210g (0.46lb)
Dimension(LxWxH)	148mmx70mmx31mm (5.83"x2.76"x1.22")
Installation	Plane mount
Color	Black

Environmental

Operating Temperature	-10 °C ~+55 °C (+14 °F ~+131 °F)
Operating Humidity	<90% RH
Storage Temperature	-20 °C ~+70 °C (-4 °F ~+158 °F)

System Properties

Power Supply	DC12V 0.7A *4
Network cable Type	UTP CAT5E/6

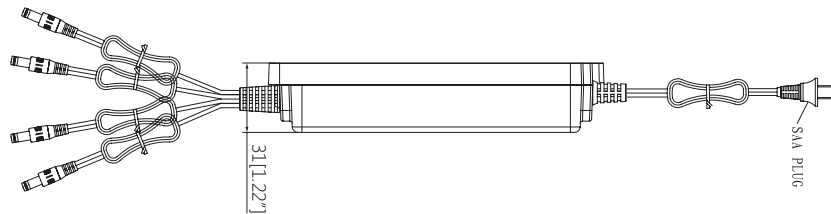
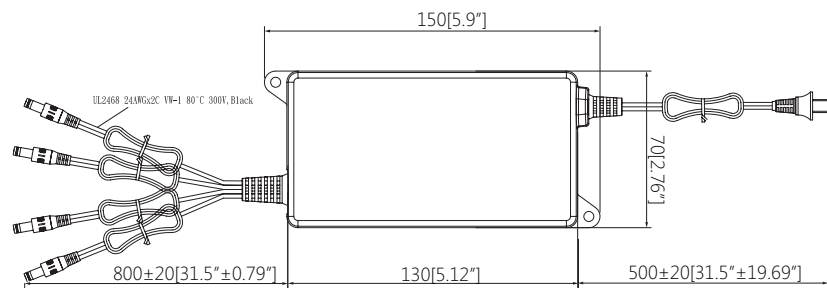
Transmission Properties	Input	Distance	Output Power
	DC12V 0.7A	0-20m	7.5W
		20-40m	6.2W
		40-60m	4.5W
		60-80m	3.7W
		80-100m	2.9W

The above table is the measured output power data with DC12V0.7A*4 power adapter and CAT5E network cable. Therefore, please confirm the power consumption of remote camera.

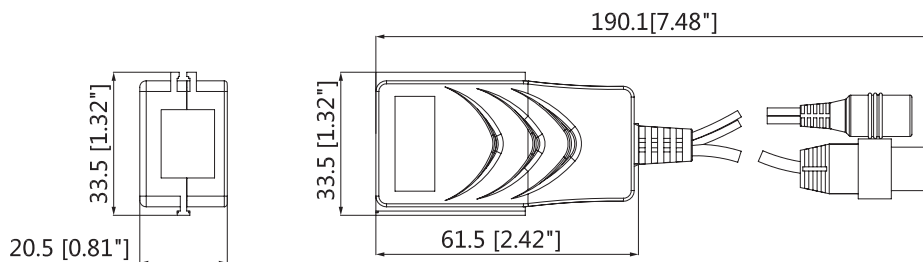
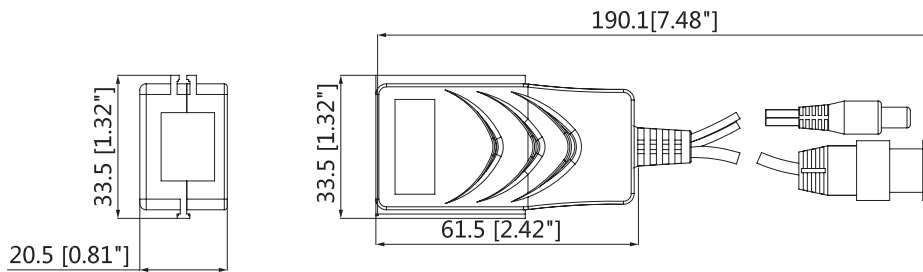
Ordering Information

Type	Part Number	Description
HDCVI Accessories	PFM801-4MP	1-CH passive HDCVI balun with power
	PFM802P	Video/power balun kit
Related Accessories	PFM920I-5EUN	305m UTP CAT5E cable
	PFM920I-5EU-C/U	305m UTP CAT5E cable
	PFM920I-6UN-C/U	305m UTP CAT6 cable
	PFM920I-6U-C/U	305m UTP CAT6 cable

Dimension(mm/inch)

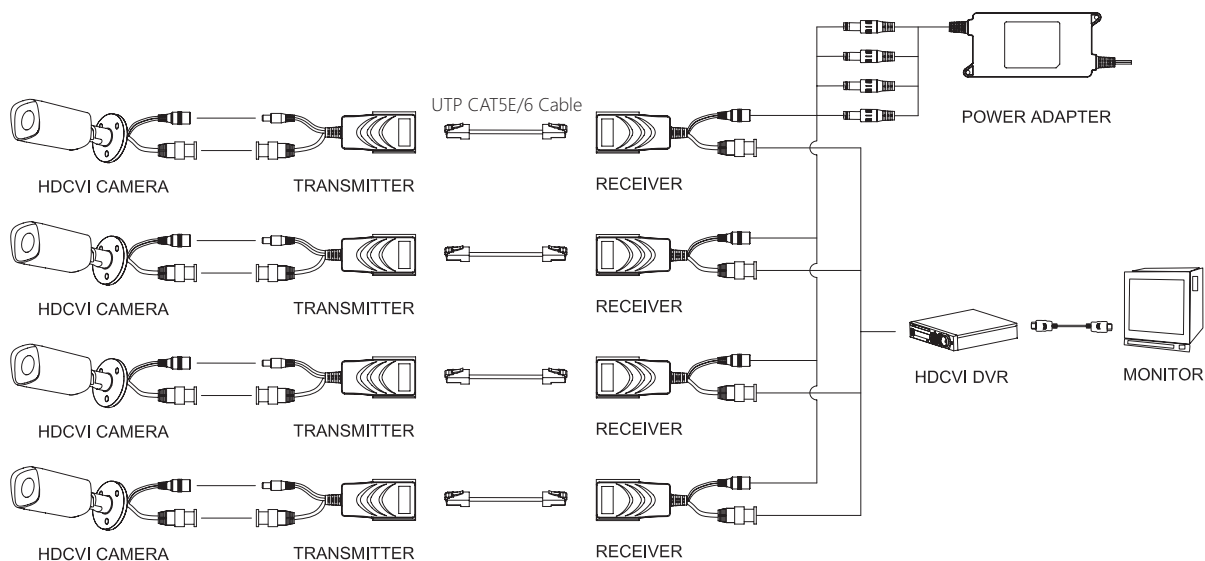


PFM322



PFM802

Application



Package Information

- DC12V 0.7A*4 power adapter PFM322 *1
- Passive video balun with power PFM802 *4
- User manual *1