

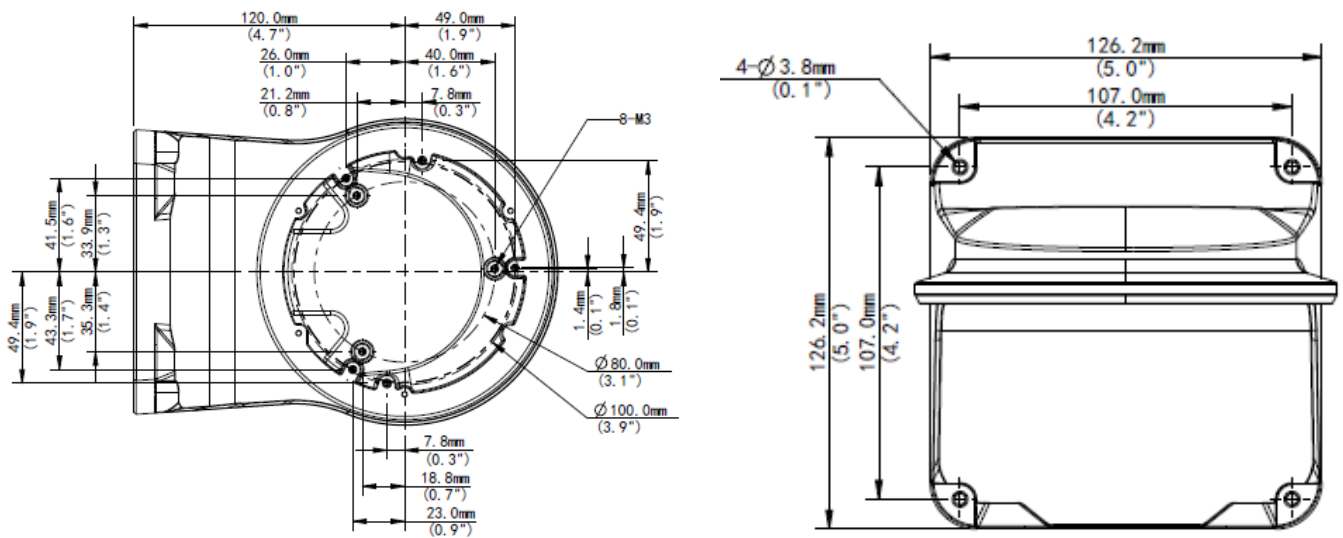
TR-WM03-C-IN 3-inch Fixed Dome Mount

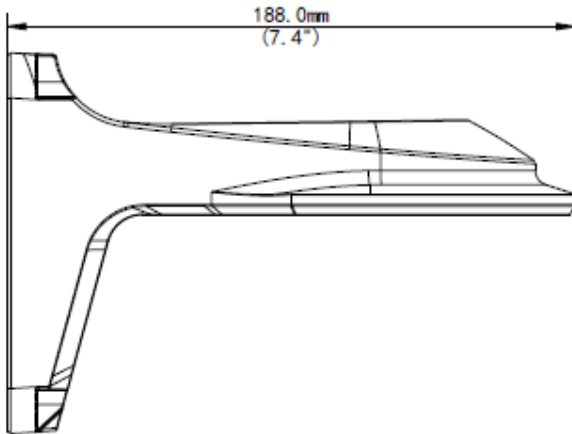


Specifications

Bracket	TR-WM03-C-IN
Application	Wall installation for IPC32X and IPC361X series
Dimensions	126.2mmx126.2mmx188mm (5" x5" x7.4")
Weight	0.51kg(1.1lb)
Material	Aluminum alloy

Dimensions



**Zhejiang Uniview Technologies Co.,Ltd.**

South Tower, Building 10, Wanlun Science Park, 88 Jiangling Road, Hangzhou, P.R.China 310051

Email: overseasbusiness@uniview.com; globalsupport@uniview.com

<http://www.uniview.com>

©2018 Zhejiang Uniview Technologies Co.,Ltd. All rights reserved.

*Product specifications and availability are subject to change without notice.