

AW-FET-053C-120 AW-FGT-103C-250

Outdoor FE Unmanaged PoE Switch



Extend PoE up to 200M at 10 Mbps •
Surge Protection • IP67 • IK10

VIVOTEK's outdoor FE unmanaged PoE switch is a harden-grade IP67/IK10 unit that is equipped with a DIP switch to provide ST Standard and EX EXTend operation modes. The outdoor FE unmanaged PoE switch is specially designed for outdoor IP Surveillance application. Besides standard 802.3af/at PoE functions in ST mode, the EX mode also transmits data & power on one single cable up to 200 meters at 10 Mbps via specific EX PoE ports for long reach PoE IP cameras. VIVOTEK's outdoor FE unmanaged PoE switch also features adding an additional 20% range of input voltage tolerance (280VAC 4hr, 300VAC 1min),

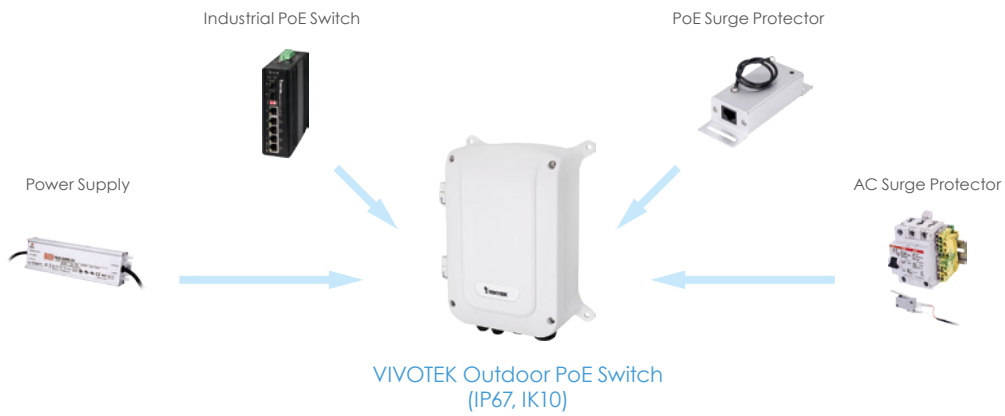
lightning surge protection on AC power & PoE surge protection to prevent damage caused by outside unstable AC power, lightning strikes and power spikes. These unique features help to reduce the costs of replacing damaged units.

VIVOTEK's outdoor FE unmanaged PoE switches have two sub models consisting of 5-port AW-FET-053C-120 and 10-port AW-FGT-103C-250 with a range of power budgets from 120W to 240W for outdoor IP surveillance applications.

Key Features

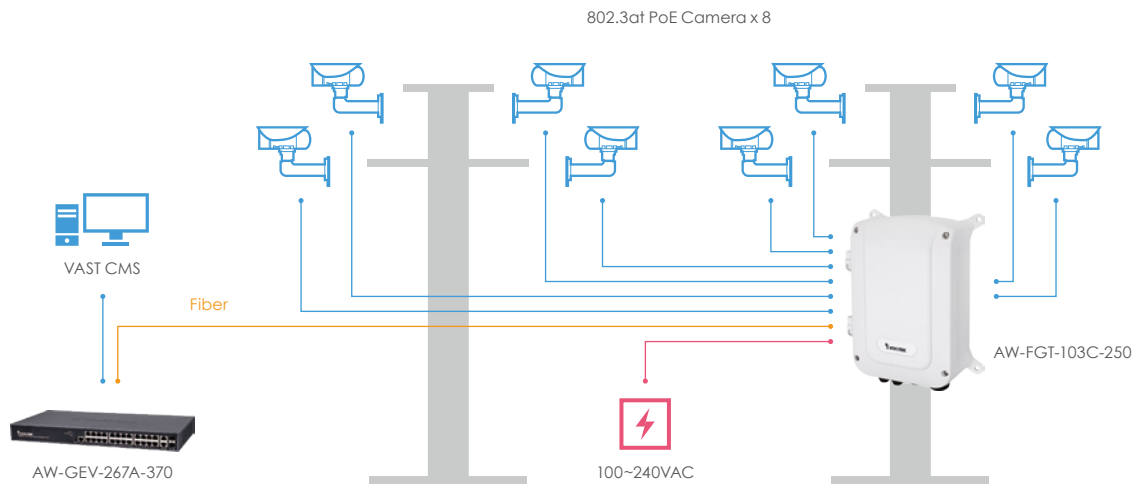
- All-in-One device with easy installation
- Waterproof IP67, Vandal Proof IK10 compliant
- 15.4W/802.3af & 30W/802.3at compliant
- 12KV PoE surge protection each port
- 10KV/40KV AC surge protection
- Extra 20% range of input voltage tolerance (280VAC 4Hr, 300VAC 1min)
- Circuit protection prevents power interference between ports
- Detects PoE PD (power device) automatically
- ST mode reaches PoE camera up to 100M @ 100Mbps via any PoE port
- EX mode reaches 802.3at camera up to 200M @ 10Mbps via EX PoE ports

Plug and Play Installation with All in One Device

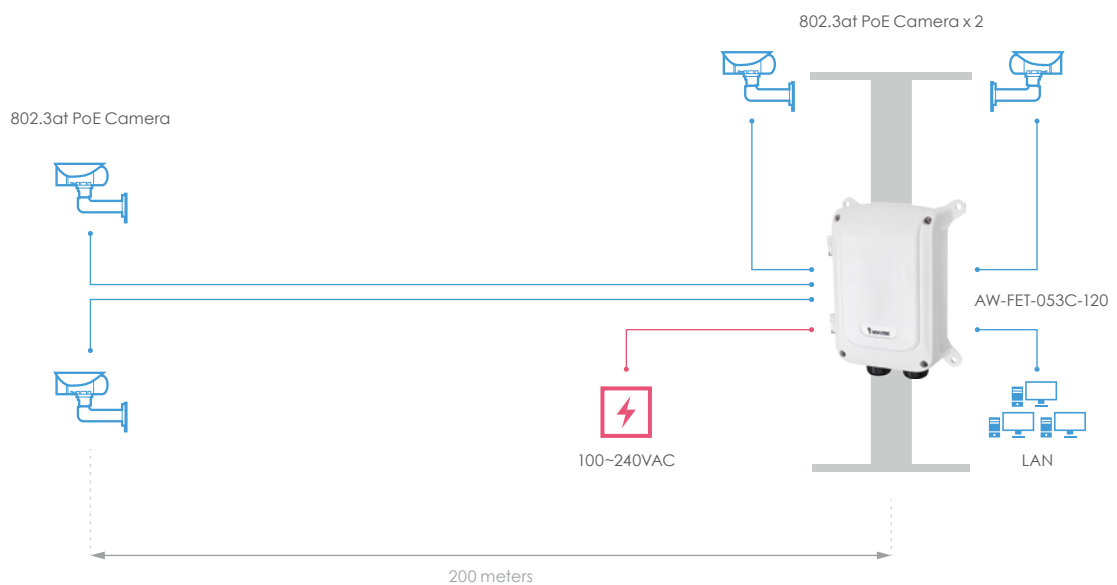


Application

ST Mode



EX Mode



| Range Guide | EX Port @ EX Mode | Any Port @ ST Mode |
|-----------------------|-------------------|--------------------|
| 802.3at PoE IP Camera | 200M @ 10Mbps | 100M @ 100Mbps |

Technical Specifications

| Model | AW-FET-053C-120 | AW-FGT-103C-250 |
|----------------------------------|---|---|
| |  |  |
| Short Highlight | 4xFE PoE + 1xFE UTP | 8xFE PoE + 2xGE Combo |
| Networking Specifications | | |
| 10/100 Mbps RJ45 PoE Port | 4 | 8 |
| 10/100 Mbps RJ45 Port | 1 | - |
| Gigabit RJ45/SFP Combo Ports | - | 2 |
| EX Mode PoE (200M@10Mbps)* | | 2 |
| Ethernet Performance | | |
| Switching Bandwidth | 1 Gbps | 5.6 Gbps |
| Mac Table | 2 K | 4 K |
| Jumbo Frame | | 1536 Bytes |
| Auto-MDI/MDI-X, Auto-Negotiation | | Supported |
| Power Specifications | | |
| Power Input Voltage | | 100VAC ~ 240VAC |
| Max. PoE Output Power /Per Port | | Per Port 54VDC, Max. 30W |
| Total PoE Power Budget | 120W | 240W |
| IEEE 802.3af/at | | Supported |
| Power Pin Assignment | | 1/2(+), 3/6(-), 4/5(+), 7/8(-) |
| PoE PD Auto Detection | | Supported |
| Surge Protection/Each PoE port | | 12 KV |
| Surge Protection for AC Power | 10 KV | 40 KV |
| General | | |
| Waterproof Rating | | IP67 |
| Vandal Proof | | IK10 |
| Operating Temperature | | -40°C ~ 60°C (-40°F ~ 140°F) |
| Storage Temperature | | -40°C~ 85°C (-40°F~ 185°F) |
| Operating Humidity | | 5% ~ 95% non-condensing |
| Dimensions | 255.2 (W) x 199.9 (H) x 90 (D) mm | 315.4 (W) x 245.8 (H) x 118 (D) mm |
| Weight | 3.2 KG | 4.3 KG |
| Connectors | M25 x 2 | M16 x 4, M25 x 2 |
| Certifications | | |
| EMC | | CE, FCC, VCCI, C-Tick Class A |
| Safety | | EN60950-1, IEC60950-1 |
| Vibration | | IEC 60068-2-6 |

Technical Specifications

| | | |
|----------|---|---|
| Model | AW-FET-053C-120 | AW-FGT-103C-250 |
| |  |  |
| Shock | IEC 60068-2-27 | |
| Freefall | IEC 60068-2-32 | |
| Surge | ITU-T K.21, IEC-61643-11 | |

Accessories

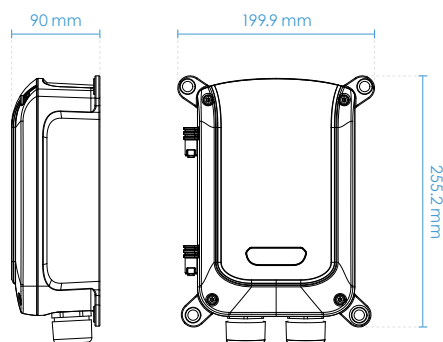
Optional Accessories

-

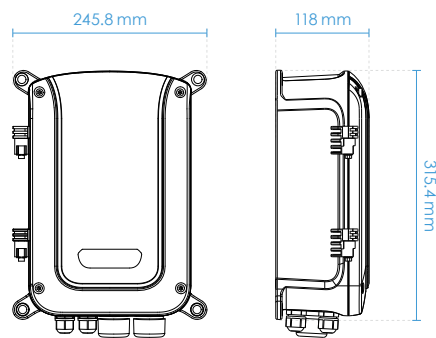
Industrial SFP Transceiver:
 SFP-1000-MM85-X5I: MMF, 0.5 km, -40°C ~ 85°C
 SFP-1000-MM13-02I: MMF, 2 km, -40°C ~ 85°C
 SFP-1000-SM13-10I: SMF, 10 km, -40°C ~ 85°C
 SFP-1000-SM13-40I: SMF, 40 km, -40°C ~ 85°C

Dimensions

AW-FET-053C-120



AW-FGT-103C-250



Compatible Accessories

| Pole Mount Bracket | | Corner Mount Bracket |
|---|---|---|
|  |  |  |
| AM-314 | AM-315 | AM-414 |

* EX Mode:

1. CAT.6 or better UTP/STP cable is highly recommended.
2. Low quality cables will seriously limit the cabling distance.
3. Ex mode doesn't support with the FE8391-V model.