

DH-IPC-HDBW3241F-FD-M/M12

2MP IR Starlight Dome Network Camera



- 1/2.8" 2Megapixel progressive scan CMOS
- H.265&H.264 triple-stream encoding
- 25/30fps@1080P(1920×1080)
- WDR(120dB), Day/Night(ICR), 3DNR,AWB,AGC,BLC
- Multiple network monitoring: Web viewer, CMS(DSS/PSS) & DMSS
- Max. IR LEDs Length 50m
- IP67,IK10,PoE
- Support face capture, face attributes

System Overview

The Dahua mobile camera is specially designed for trains, buses and other vehicles. Due to its high-specification design, the mobile camera meets the requirements of vehicle standards such as EN50155, E-MARK(ECE-Regulation No.10), making the camera able to withstand the tough conditions like vibrations, shocks and wide range temperature fluctuations. The external camera meets the IP6K9K standard, which makes it dustproof and waterproof, sustaining high pressure / steam jet cleaning directly.

Functions

Face Capture

Face capture is a software application that automatically captures faces from within a digital image or a video frame from a video source. Dahua cameras use advanced deep learning algorithms and are trained by a large number of face data sources, enabling the camera to locate faces quickly and accurately from the video source and capture facial images.

Face Attributes

Through the use of deep learning algorithms to analyze facial images, Dahua cameras can extract four facial attributes from each frame, including gender, age, expression (happy, calm, surprised, sad, and angry), and glasses. Customers can acquire data of interest via face attributes statistics.

Metadata

Metadata is feature attribute information extracted from a target object which can be used for data retrieval. Dahua face recognition camera can extract four facial attributes and output the metadata for analysis.

Starlight Technology

Featuring Dahua's Starlight Technology, this camera is ideal for applications with challenging lighting conditions. Its low-light performance delivers usable video with minimal ambient light. Even in extreme low-light conditions, Starlight Technology is capable of delivering color images in near complete darkness.



Wide dynamic range (WDR)

Embedded with industry leading wide dynamic range (WDR) technology, vivid pictures are achieved even in the most intense contrast lighting conditions. For applications with both bright and low lighting conditions that change quickly, True WDR (120dB) optimizes both the bright and dark areas of a scene at the same time to provide usable video.

Smart Codec (H.265+ & H.264+)

Smart Codec is the optimized implementation of standard video compression (H.265 & H.264) that uses a scene-adaptive encoding strategy, dynamic GOP, dynamic ROI, flexible multi-frame reference structure and intelligent noise reduction to deliver high-quality video without straining the network. Smart Codec technology reduces bit rate and storage requirements by up to 70% when compared to the standard video compression.

Technical Specification

Camera

Image Sensor	1/2.8 2Megapixel progressive scan CMOS
Effective Pixels	1920(H)x1080(V)
RAM/ROM	1024MB/128MB
Scanning System	Progressive
Electronic Shutter Speed	Auto/Manual, 1/3~1/100000s
Minimum Illumination	0.003Lux/F2.0 (Color,1/3s,30IRE) 0.02Lux/F2.0 (Color,1/30s,30IRE) 0Lux/F2.0 (IR on)
S/N Ratio	More than 45dB
IR Distance	Distance up to 50m(164ft)
IR On/Off Control	Auto/Manual
IR LEDs	8

Lens

Lens Type	Fixed				
Mount Type	Board-in				
Focal Length	2.8mm(3.6mm;6mm;8mm;12mm)				
Max. Aperture	F2.0				
Angle of View	H: 110° (89.5°)(52.8°)(39.7°)(25.7°) V: 60° (50°)(30°)(22°)(14.4°)				
Optical Zoom	N/A				
Focus Control	Fixed				
Close Focus Distance	0.5m(0.9m)(2.1m)(3.5m)(8.5m)				
DORI Distance	Lens	Detect	Observe	Recognize	Identify
	2.8mm	39m(128ft)	15m(49ft)	8m(26ft)	4m(13ft)
	3.6mm	55m(180ft)	22m(187ft)	11m(36ft)	5.5m(18ft)
	6mm	83m(272ft)	33m(108ft)	17m(56ft)	8m(26ft)
	8mm	107m(351ft)	43m(141ft)	21m(69ft)	11(36ft)
	12mm	172m(564ft)	69m(226ft)	3m(114ft)	17m(55.8ft)

Pan/Tilt/Rotation

Pan/Tilt/Rotation Range	Pan:-30°~30°; Tilt:0°~80°; Rotation:0°~360°
-------------------------	---

Artificial Intelligence

Face Capture	Support face image capture
Face Attributes	Support 4 kinds of face attributes extraction: Age, Gender, Expression(Jolly, Calm, Surprise, Sad, Rage), Glasses

Video

Compression	H.265/H.264H/H.264/H.264B/MJPEG(Sub Stream)
Smart Codec	Support H.265+/H.264+
Streaming Capability	3 Streams
Resolution	1080P(1920x1080)/ 1.3M(1280x960)/ 720P(1280x720)/ D1(704x576/704x480)/ CIF(352x288/352x240)
Frame Rate	Main Stream: 1080P(1~25/30fps)
	Sub Stream: D1 (1 ~ 25/30fps)
	Sub Stream 2: 1080P(1~25/30fps)
Bit Rate Control	CBR/VBR
Bit Rate	H.264H:32Kbps ~ 15104Kbps H.6Kbps ~ 15104Kbps
Day/Night	Auto(ICR) / Color / B/W

BLC Mode	BLC / HLC / WDR(120dB)
White Balance	Auto/Manual
Gain Control	Auto/Manual
Noise Reduction	3D DNR
Motion Detection	Off / On (4 Zone, Rectangle)
Region of Interest	Off / On (4 Zone)
Electronic Image Stabilization (EIS)	N/A
Smart IR	Support
Defog	Support
Digital Zoom	16x
Flip	0°/90°/180°/270°
Mirror	Off / On
Privacy Masking	Off / On (4 Area, Rectangle)

Audio

Compression	G.711a/G.726/G.711Mu/AAC
-------------	--------------------------

Network

Ethernet	RJ-45 (10/100Base-T)
Protocol	HTTP;TCP;ARP;RTSP;RTP;UDP;RTCP;SMTP;FTP;DHCP;DNS;DDNS;PPPOE;IPv4/v6;SNMP;QoS;UPnP;NTP
Interoperability	ONVIF;CGI;Milestone;Genetec
Streaming Method	Unicast / Multicast
Max. User Access	10Users/20 Users
Edge Storage	NAS Local PC for instant recording
Web Viewer	IE, Chrome, Firefox, Safari
Management Software	Smart PSS, DSS, DMSS
Smart Phone	IOS, Android

Certifications

Certifications	CE (EN 60950:2000) UL:UL60950-1 FCC: FCC Part 15 Subpart B EN50155(optional)
----------------	---

Interface

Video Interface	N/A
Audio Interface	Built-in Mic
RS485	N/A
Alarm	N/A

Electrical

Power Supply	DC12V, PoE (IEEE 802.3af)(Class 0)
Power Consumption	DC 12V: 3.6W 5.4W(IR on) PoE: 4.2W 6.2W(IR on)

Environmental

Operating Conditions	-40° C ~ +60° C (-40° F ~ +140° F) / Less than 95% RH
Storage Conditions	-40° C ~ +60° C (-40° F ~ +140° F) / Less than 95% RH
Ingress Protection	IP67
Vandal Resistance	IK10

Construction

Casing	Metal
Dimensions	108.6mm×55mm(4.17"×1.98")
Net Weight	0.426kg(0.94lb)
Gross Weight	0.559kg(1.23lb)

Ordering Information

Type	Part Number	Description
2MP camera	DH-IPC-HDBW3241FP-FD-M/M12-0280B	2MP IR Starlight Dome Network Camera, PAL
	DH-IPC-HDBW3241FN-FD-M/M12-0280B	2MP IR Starlight Dome Network Camera, NTSC
	DH-IPC-HDBW3241FP-FD-M/M12-0360B	2MP IR Starlight Dome Network Camera, PAL
	DH-IPC-HDBW3241FN-FD-M/M12-0360B	2MP IR Starlight Dome Network Camera, NTSC
	DH-IPC-HDBW3241FP-FD-M/M12-0600B	2MP IR Starlight Dome Network Camera, PAL
	DH-IPC-HDBW3241FN-FD-M/M12-0600B	2MP IR Starlight Dome Network Camera, NTSC
	DH-IPC-HDBW3241FP-FD-M/M12-0800B	2MP IR Starlight Dome Network Camera, PAL
	DH-IPC-HDBW3241FN-FD-M/M12-0800B	2MP IR Starlight Dome Network Camera, NTSC
	DH-IPC-HDBW3241FP-FD-M-1200B	2MP IR Starlight Dome Network Camera, PAL
	DH-IPC-HDBW3241FN-FD-M-1200B	2MP IR Starlight Dome Network Camera, NTSC
	IPC-HDBW3241FP-FD-M/M12-0280B	2MP IR Starlight Dome Network Camera, PAL
	IPC-HDBW3241FN-FD-M/M12-0280B	2MP IR Starlight Dome Network Camera, NTSC
	IPC-HDBW3241FP-FD-M/M12-0360B	2MP IR Starlight Dome Network Camera, PAL
	IPC-HDBW3241FN-FD-M/M12-0360B	2MP IR Starlight Dome Network Camera, NTSC
	IPC-HDBW3241FP-FD-M/M12-0600B	2MP IR Starlight Dome Network Camera, PAL
	IPC-HDBW3241FN-FD-M/M12-0600B	2MP IR Starlight Dome Network Camera, NTSC
	IPC-HDBW3241FP-FD-M/M12-0800B	2MP IR Starlight Dome Network Camera, PAL
	IPC-HDBW3241FN-FD-M/M12-0800B	2MP IR Starlight Dome Network Camera, NTSC
	IPC-HDBW3241FP-FD-M-1200B	2MP IR Starlight Dome Network Camera, PAL
	IPC-HDBW3241FN-FD-M-1200B	2MP IR Starlight Dome Network Camera, NTSC
Accessories (optional)	PFA139	Junction box
	PFB204W	Wall mount
	PFA152	Pole mount

Accessories

Optional:



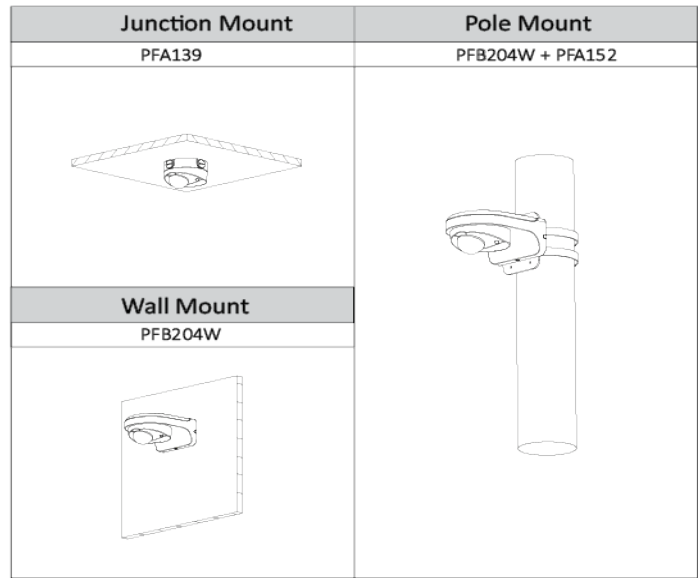
PFA139
Junction box



PFB204W
Wall mount



PFA152
Pole mount



Dimensions (mm/inch)

