

# HS-217SHB-IR-B-NB Outdoor-housing



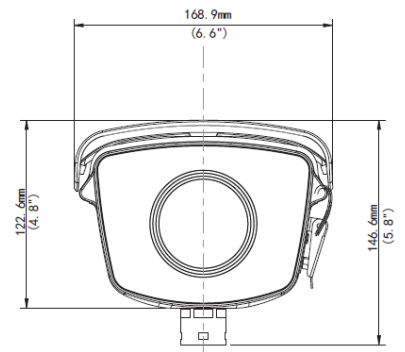
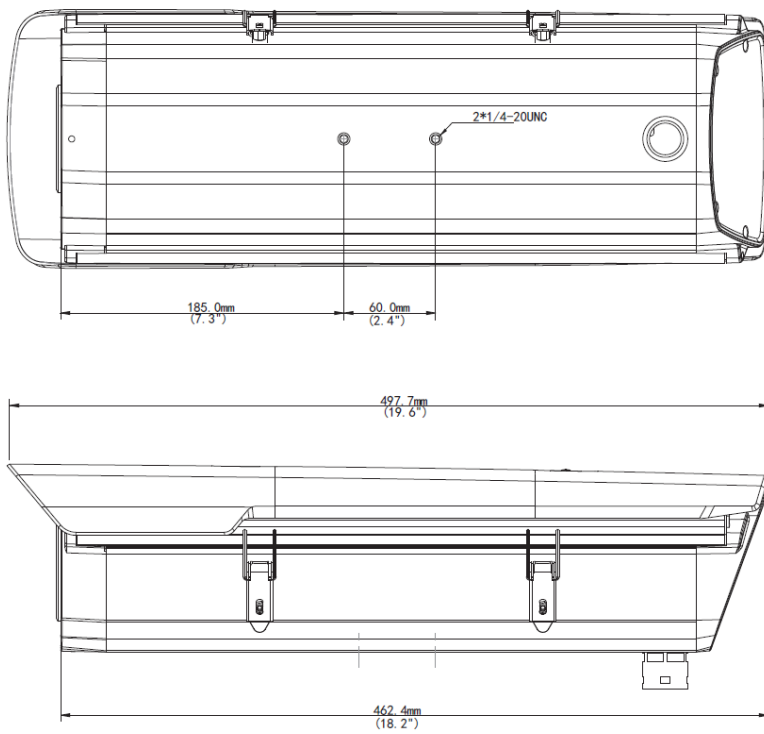
## Features

- Anti-corrosive and ultraviolet-proof material to enhance outdoor durability
- Combined with adjustable sun shade from direct solar radiation
- Integrated IR, support group control, collaborate with the camera in day/night monitoring
- Built-in temperature control module, it can automatically control heater and fan's working condition according to ambient temperature
- Easy and flexible installation with side open structure
- IP66-rated

## Specifications

HS-217SHB-IR-B-NB (including sun shade,Heater,Fan)	
Application	Indoor\Outdoor
Power Supply	AC24V
Power	Heater:20W, Fan:1.8W, IR:≤12W
Operating Condition	-40℃~70℃(-40°F ~ 158°F) Humidity ≤95%RH( non-condensing)
Working Conditions of Temperature Control Module	The heating on:≤9±3℃ The heating off:≥14±3℃ The fan opens when the heat is turned on
Dimensions (L x W x H)	497.7mm×122.6mm×168.9mm
Weight	2.8kg(6.2lb)
Material	Shell:aluminum alloy Sun shade:plastic
Ingress Protection	IP66
IR Distance	100m

## Dimensions



### Zhejiang Uniview Technologies Co., Ltd.

South Tower, Building 10, Wanlun Science Park, 88 Jiangling Road, Hangzhou, P.R. China 310051

Email: [overseasbusiness@uniview.com](mailto:overseasbusiness@uniview.com); [globalsupport@uniview.com](mailto:globalsupport@uniview.com)

<http://www.uniview.com>

©2019 Zhejiang Uniview Technologies Co., Ltd. All rights reserved.

\*Product specifications and availability are subject to change without notice.