

# DH-PFC200D-18U6D

19" 18U Rack Cabinet



## Features

- Aesthetic design
- Standard 19" rack
- Support wall mount and plane mount
- The four sides (around) of the cabinet are openable, convenient for construction installation and feature maintenance
- Cable entry on the top cover and bottom panel

## Technical Specification

|       |                  |
|-------|------------------|
| Model | DH-PFC200D-18U6D |
|-------|------------------|

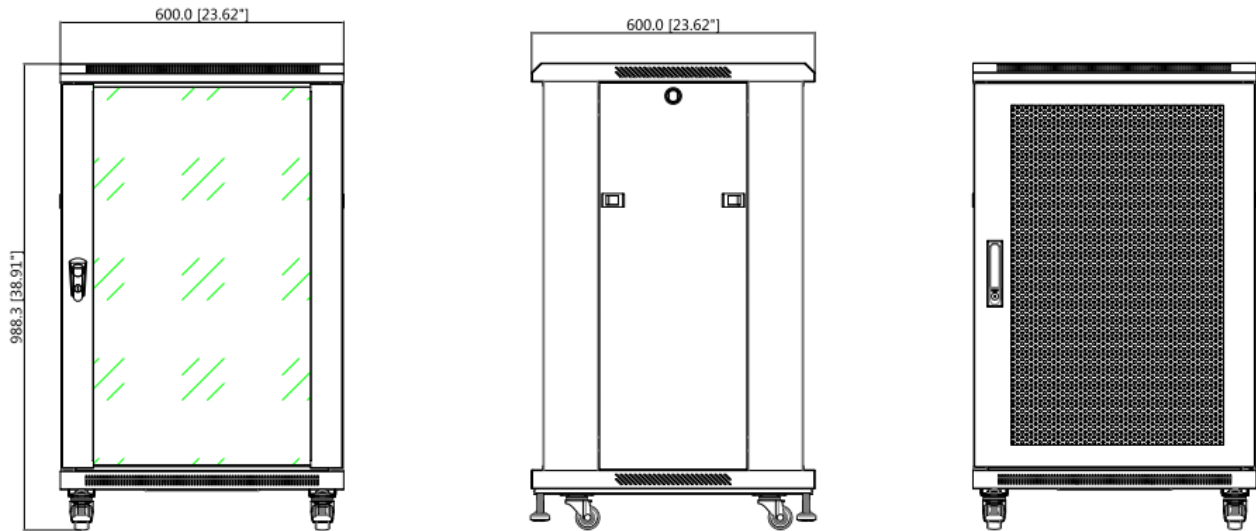
### General

|                       |  |
|-----------------------|--|
| Material              | SPCC                                     |
| Dimension (WxDxH)     | 600mmx600mmx990mm (23.62"x23.62"x38.98") |
| Mount                 | Wall mount, plane mount                  |
| Weight                | 39.5kg(87.08lb)                          |
| Load Bearing          | 300kg(661.39lb)                          |
| Color                 | Black                                    |
| Operating Temperature | -40 C ~+60 C (-40 F ~+140 F )            |
| Humidity              | <90% RH                                  |

## Ordering Information

| Type    | Part Number                   | Description   |
|---------|-------------------------------|---|
| Cabinet | DH-PFC200D-6U4D               | 19" 6U rock cabinet, depth 450mm, load bearing 40kg, support wall & plane mount   |
|         | DH-PFC200D-9U4D               | 19" 9U rock cabinet, depth 450mm, load bearing 40kg, support wall & plane mount   |
|         | DH-PFC200D-12U4D              | 19" 12U rock cabinet, depth 450mm, load bearing 40kg, support wall & plane mount  |
|         | <b>DH-PFC200D-18U6D</b>       | <b>19" 18U rock cabinet, depth 600mm, load bearing 300kg, support wall &amp; plane mount</b>                                    |
|         | DH-PFC200D-42U8D              | 19" 42U rock cabinet, depth 800mm, load bearing 300kg, support wall & plane mount   |
| Tray    | DH-PFC610-4D                  | 19" rackmount tray  |
|         | DH-PFC610-6D                  | 19" rackmount tray  |
|         | DH-PFC610-8D                  | 19" rackmount tray  |
| PDU     | ZZM10/PDU<br>(8 European 250) | 8 Outlet rackmount PDU power strip, max. AC250V rated input, 16A/max. 4000W output, European                                    |
|         | ZZM10/PDU<br>(8 British 250)  | 8 Outlet rackmount PDU power strip, max. AC250V rated input, 13A/max. 3250W output, British                                     |
|         | ZZM10/PDU(8 USA 250)          | 8 Outlet rackmount PDU power strip, max. AC250V rated input, 10A/max. 2500W output, North American plug input/ universal output |

## Dimension(mm/inch)



## Package Information

- 19" 18U rack cabinet \*1
- Wrench \*1
- Door key \*4
- Caster wheel \*4
- Bolster \*4
- M6 screw \*20