

DH-PFL1575-A12D

12MP 1/1.7" 15-75mm Vari-focal Lens



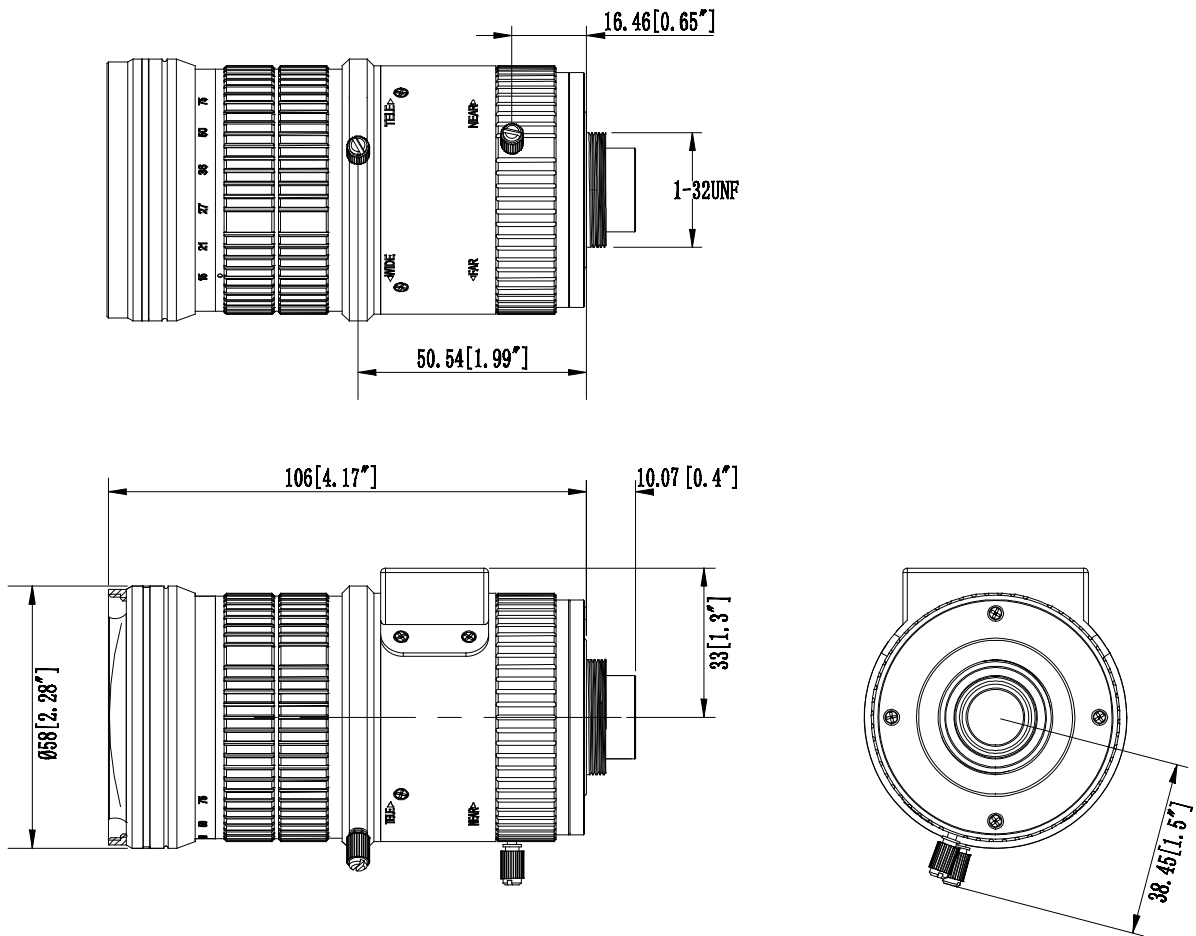
Technical Specifications

Model		DH-PFL1575-A12D
Parameter		
Image Format		1/1.7"
Focal Length		15-75mm
Lens Pixel		12MP
Aperture		F1.5
Mount		C
Field Angle (D*H*V)	1/1.7"(4:3)	W: 33°(D)x26°(H)x19.2°(V) T: 7.8°(D)x6.3°(H)x4.7°(V)
	1/1.7"(17:9)	W: 30.6°(D)x26.8°(H)x13.8°(V) T: 7.3°(D)x6.5°(H)x3.4°(V)
	1/2"	W: 28°(D)x22.2°(H)x16.5°(V) T: 6.7°(D)x5.4°(H)x4°(V)
Lens Control	Focus	Manual
	Zoom	Manual
	Iris	DC-Iris
IR Correction		Yes
M.O.D.		1.5m (4.92ft)
Dimension		φ58mmx116mm (φ2.28"x4.57")
Weight		465g (1.03lb)
Operating Temperature		-30°C ~+70°C (-22°F ~+158°F)
Humidity		<90% RH
Certifications		
Certifications		CE (EN55032, EN55024, EN50130-4) FCC (CFR 47 Part 15 Subpart B)

Order Information

Type	Part Number	Description
Lens	DH-PFL1575-A12D	12MP 1/1.7" 15-75mm vari-focal lens
	PFL1575-A12D	12MP 1/1.7" 15-75mm vari-focal lens

Dimensions (mm/inch)



Application



Package Information

- 12MP 1/1.7" 15-75mm vari-focal lens PFL1575-A12D *1
- CS to C mount adapter *1