

# DHI-MNVR1104

## 4 Channel Mobile Network Video Recorder



- Up to 4 channel with 1080P realtime live view
- H.264 dual-stream video compression
- VGA/TV simultaneous video output
- Support 1 SATA HDD, 2 USB2.0
- Aviation connectors adopted
- ONVIF Version 2.3 conformance
- Multiple monitoring: Web viewer, CMS(DSS) & DMSS



### System Overview

MNVR1104 is a premium mobile video recorder which can support 4 channel 1080P high-definition real-time recording, it can support real-time vehicle location tracking and monitoring, and all the information such as GPS and video can be uploaded by wireless network: 3G/4G/WIFI. This device can also support to connect various accessories, such as card reader, fuel sensor, emergency button. It has already passed EN50155/E-mark/ISO16750 in order to meet the requirements of mobile use. This device can be used in kinds of solutions for different applications, such as city bus/school bus/taxi/police car/train/truck.

### Functions

#### Anti-vibration

Using shock-absorbing material and structure, the new designed hard disk box can cope with varying degrees of vibration, keeping the system work normally all the time.

#### Wide range of power supply

As the voltage output of vehicle battery changes during driving, the wide range of power supply can protect the device.

#### 3G/4G/WIFI

Embedded with 3G/4G/WIFI module, the device can register into a public network to connect with VMS, and can send all the information (video/audio/alarm/gps) through wireless network.

#### GPS

Embedded GPS module can receive location information and upload to VMS, and the vehicle can be tracked on the electric map of VMS.

#### Multiple ports

With kinds of ports, like CAN, RS232, RS485, I/O, the video recorder can connect with various of accessories, such as card reader, fuel sensor, panic button and so on. (system), so that the video, audio, alarm and location information can be uploaded to VMS.

**Technical Specification**

System

Main Processor	Embedded microprocessor
Operating System	Embedded LINUX

Audio and Video

IP Camera Input	4 Channel
Two-way Talk	1 Channel Input, 1 Channel Output, RCA

Display

Interface	1 VGA, 2 TV
Resolution	1920×1080, 1280×1024, 1280×720, 1024×768, 800×600
Display Split	1/4
Privacy Masking	4 rectangular zones (each camera)
OSD	Camera title, Time, Video loss, Camera lock, Motion detection, Recording

Recording

Video/Audio Compression	H.264/G.711A
Record Rate	Max 100 Mbps
Bit Rate	48~8192Kb/s
Record Mode	Manual, Schedule(Regular(Continuous), MD, Alarm), Stop
Record Interval	1~120 min (default: 60 min), Pre-record: 1~30 sec, Post-record: 10~300 sec

Video Detection and Alarm

Trigger Events	Recording, PTZ, Tour, Alarm, Email, FTP, Buzzer & Screen tips
Video Detection	Motion Detection, MD Zones: 396(22×18), Video Loss & Camera Blank
Alarm input	7 channels, Alarm 1-6 is the local alarm input, Alarm 7 is pulse input.
Relay Output	2 channels

Playback and Backup

Playback	1
Search Mode	Time/Date, Alarm, Motion Detection & Exact search (accurate to second)
Playback Function	Play, Pause, Stop, Rewind, Fast play, Slow play, Next file, Previous file, Next camera, Previous camera, Full screen, Repeat, Shuffle, Backup selection, Digital zoom
Backup Mode	USB Device/Network

Storage

Internal HDD	1 SATA Ports, Up to 2 TB capacity
SD card	1 SD card, Up to 128 GB

Network

Ethernet	RJ-45 Port (10/100 Mbps)
PoE Port	4 ports(IEEE802.3af/at)
Wireless Network	Built-in 3G/4G/Wi-Fi module(optional)
GPS	Built-in high accurate GPS module(optional)
Network Function	TCP/IP, UDP, DHCP, DDNS, FTP, Email, Alarm Server
Max. User Access	128 users
Smart Phone	iPhone, iPad, Android

Auxiliary Interface

USB	2 Ports (1 rear), USB 2.0
RS232	1 Port, for PC Communication and Keyboard
RS485	1 Port, for PTZ Control
CAN	Support
Heater	Optional
G-sensor	Support

Electrical

Power Supply	DC 6V~36V
Power Consumption	<15W (Without HDD)

Environmental

Operating Conditions	-30°C (with heater)~ +60°C (+14°F ~ +131°F)
Storage Conditions	-30°C ~ +70°C (-4°F ~ +158°F), 0 ~ 90% RH

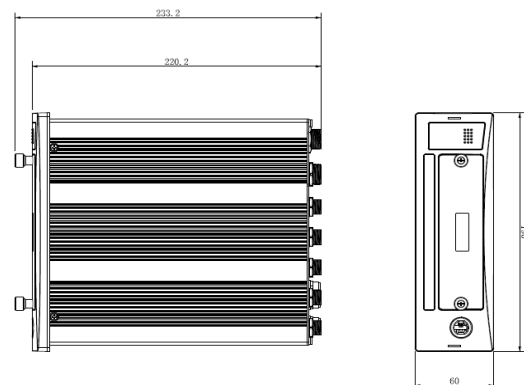
Construction

Dimensions	190mm×60mm×210mm
Net Weight	2.1kg (4.6 lb) (without HDD)

Certifications

CE	FCC
EN50155	ISO16750
E-mark	

**Dimensions (mm)**



Rev 001.001 2016 Dahua. All rights reserved. Design and specifications are subject to change without notice.