

# NVR301-08X-P8



## Key Features

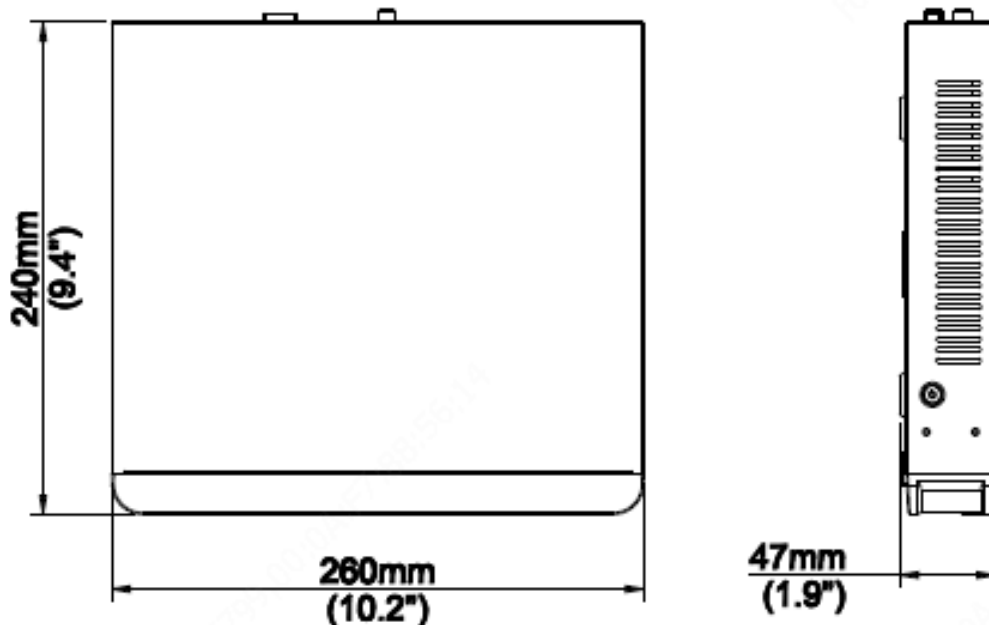
- Support Ultra 265/H.265/H.264 video formats
- 8-channel input
- Third-party IP cameras supported with ONVIF conformance: Profile S, Profile G, Profile T
- Support 1-ch HDMI, 1-ch VGA, HDMI at up 4K(3840x2160) resolution
- HDMI and VGA simultaneous output
- Up to 8MP resolution recording
- 1 SATA HDD up to 6 TB
- Support cloud upgrade

## Specifications

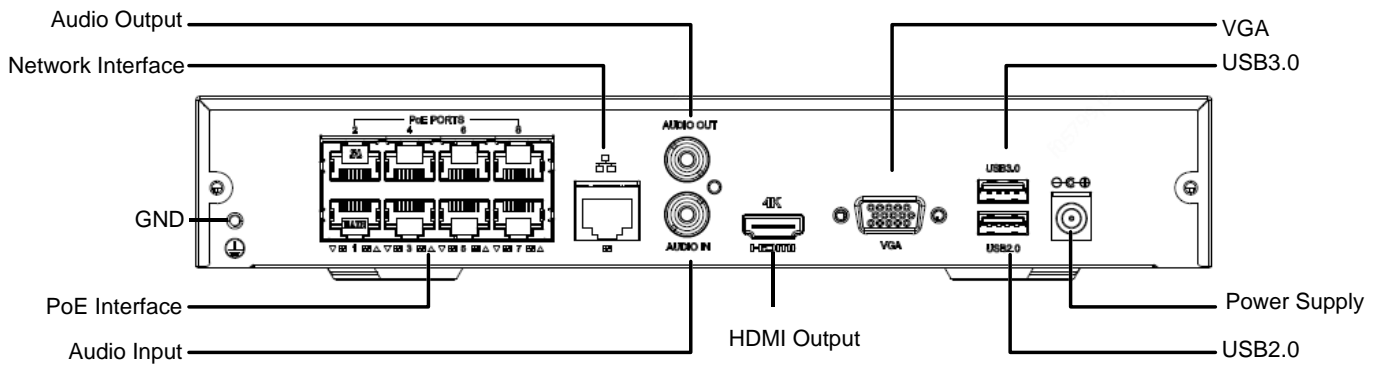
Model	NVR301-08X-P8
<b>Video/Audio Input</b>	
IP Video Input	8-ch
Two-way Audio Input	1-ch, RCA
<b>Network</b>	
Incoming Bandwidth	80Mbps
Outgoing Bandwidth	64Mbps
Remote Users	128
Protocols	P2P, UPnP, NTP, DHCP, PPPoE
<b>Video/Audio Output</b>	
HDMI/VGA Output	HDMI: 3840x2160/30Hz, 1920x1080p/60Hz, 1920x1080p/50Hz, 1600x1200/60Hz, 1280x1024/60Hz, 1280x720/60Hz, 1024x768/60Hz VGA: 1920x1080p/60Hz, 1920x1080p/50Hz, 1600x1200/60Hz, 1280x1024/60Hz, 1280x720/60Hz, 1024x768/60Hz
Recording Resolution	4K/5MP/4MP/3MP/1080p/960p/720p/D1/2CIF/CIF
Audio Output	1-ch, RCA
Synchronous Playback	8-ch

Corridor Mode Screen	3/4/5/7/9
<b>Decoding</b>	
Decoding format	Ultra 265/H.265/H.264
Liveview/Playback	4K/5MP/4MP/3MP/1080p/960p/720p/D1/2CIF/CIF
Capability	2 x 4k@30, 3 x 5MP@30, 4 x 4MP@30, 5 x 3MP@30, 8 x 1080p@30
<b>Hard Disk</b>	
SATA	1 SATA interface
Capacity	up to 6TB for each disk
<b>External Interface</b>	
Network Interface	1 RJ45 10M/100M self-adaptive Ethernet Interface
USB Interface	Rear panel: 1 x USB2.0, 1 x USB3.0
<b>PoE</b>	
Interface	8 independent 100 Mbps PoE network interfaces
Max Power	Max 30W for single port Max 108W in total (13.5W for each)
Supported Standard	IEEE 802.3at, IEEE 802.3af
<b>General</b>	
Power Supply	52V DC Power Consumption: ≤8 W (without HDD)
Working Environment	-10°C ~ +55°C (+14°F ~ +131°F), Humidity ≤ 90% RH (non-condensing)
Dimensions (W×D×H)	260mm × 240mm × 47mm (10.2"×9.4"×1.9 ")
Weight (without HDD)	1kg (2.20 lb)

## Dimensions



## Rear Panel



### Zhejiang Uniview Technologies Co., Ltd.

Building No.10, Wanlun Science Park, Jiangling Road 88, Binjiang District, Hangzhou, Zhejiang, China

Email: [overseasbusiness@uniview.com](mailto:overseasbusiness@uniview.com); [globalsupport@uniview.com](mailto:globalsupport@uniview.com)

<http://www.uniview.com>

©2019 Zhejiang Uniview Technologies Co., Ltd. All rights reserved.

\* Product specifications and availability are subject to change without notice.