

XVR302-Q Series



Key Features

- Support TVI, AHD, CVI, CVBS, IP cameras with adaptive access
- Support audio over coaxial cable
- 8/16-channel BNC input
- Up to 4K resolution for recording
- Support 1-ch HDMI output, 1-ch VGA output at up to 1920*1080
- Long transmission distance over coaxial cable

Specifications

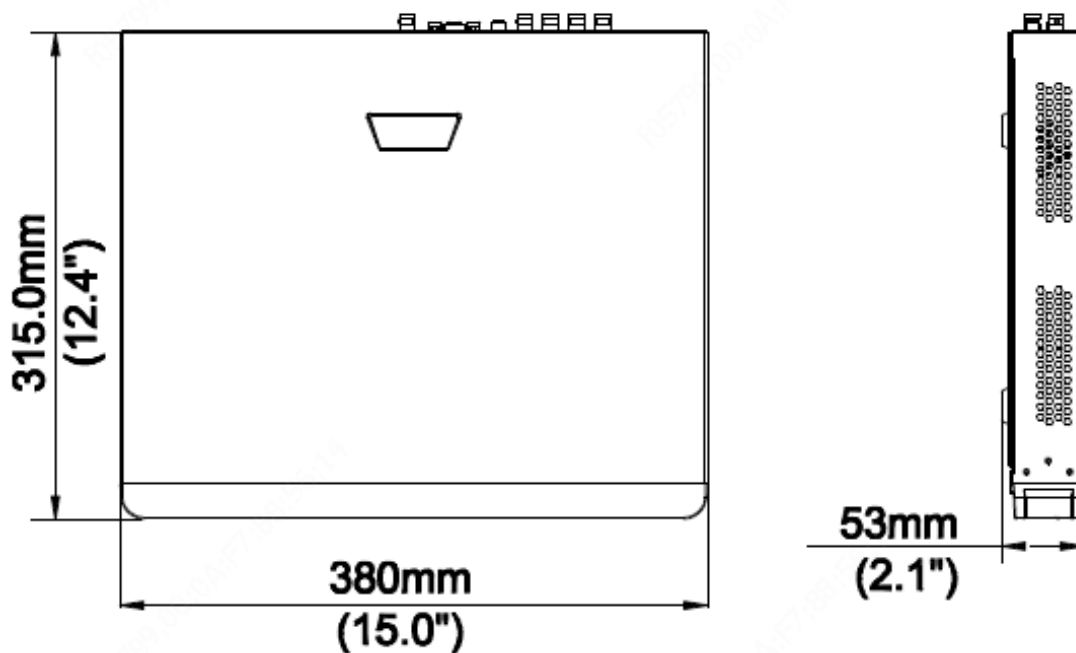
Model	XVR302-08Q	XVR302-16Q
Video/Audio Input		
Analog Video Input	8-ch, BNC	16-ch, BNC
IP Video Input	4-ch(only IP up to 12ch), each channel up to 4K	8-ch(only IP up to 24ch), each channel up to 4K
Supported Analog Camera Types	Support AHD input: 8MP@15fps(channel1-channel2) 5MP@20fps 4MP@30fps 3MP@30fps(channel1-channel2) 1080P@30fps 720P@60fps Support TVI input: 8MP@15fps(channel1-channel2) 5MP@20fps 4MP@30fps 3MP@20fps(channel1-channel2) 1080P@30fps 720P@60fps Support CVI input:	Support AHD input: 8MP@15fps(channel1-channel4) 5MP@20fps 4MP@30fps 3MP@30fps(channel1-channel4) 1080P@30fps 720P@60fps Support TVI input: 8MP@15fps(channel1-channel4) 5MP@20fps 4MP@30fps 3MP@20fps(channel1-channel4) 1080P@30fps 720P@60fps Support CVI input:

	8MP@15fps(channel1-channel2) 4MP@30fps 1080P@30fps 720P@60fps Support CVBS input	8MP@15fps(channel1-channel4) 4MP@30fps 1080P@30fps 720P@60fps Support CVBS input
Audio Input	1-ch, RCA	
Two-way Audio	1-ch, RCA	
Network		
Incoming Bandwidth	56Mbps	72Mbps
Outgoing Bandwidth	64Mbps	80Mbps
Remote Users	128	
Protocols	TCP/IP, P2P, UPnP, NTP, DHCP, PPPoE	
Video/Audio Output		
CVBS Output	1-ch, BNC	
VGA Output	1920x1080p/60Hz, 1920x1080p/50Hz, 1600x1200/60Hz, 1280x1024/60Hz, 1280x720/60Hz, 1024x768/60Hz	
HDMI Output	1920x1080p/60Hz, 1920x1080p/50Hz, 1600x1200/60Hz, 1280x1024/60Hz, 1280x720/60Hz, 1024x768/60Hz	
Audio Output	1-ch, RCA	
Synchronous Playback	8-ch	16-ch
Encoding		
Recording Resolution	8MP Lite/5MP Lite/4MP Lite /3MP/1080P/960P/720P/960H/4CIF/CIF	
Recording Frame Rate	Main stream: 8MP Lite@8fps(channel1-channel2) 5MP Lite@12fps 4MP Lite@15fps 3MP@15fps(channel1-channel2) 2MP@15fps 720P@30fps Sub stream: D1@30fps(Max)	Main stream: 8MP Lite@8fps(channel1-channel4) 5MP Lite@12fps 4MP Lite@15fps 3MP@15fps(channel1-channel4) 2MP@15fps 720P@30fps Sub stream: D1@30fps(Max)
Hard Disk		
SATA	2 SATA interfaces	
Capacity	up to 6TB for each HDD	
External Interface		
Network Interface	1 RJ45 10M/100M self-adaptive Ethernet Interface	1 RJ45 10M/100M/1000M self-adaptive Ethernet Interface
USB Interface	Rear panel: 1 x USB2.0, Front panel: 1xUSB2.0	Rear panel: 1 x USB3.0, Front panel: 1xUSB2.0
Serial Interface	1 x RS485	

General

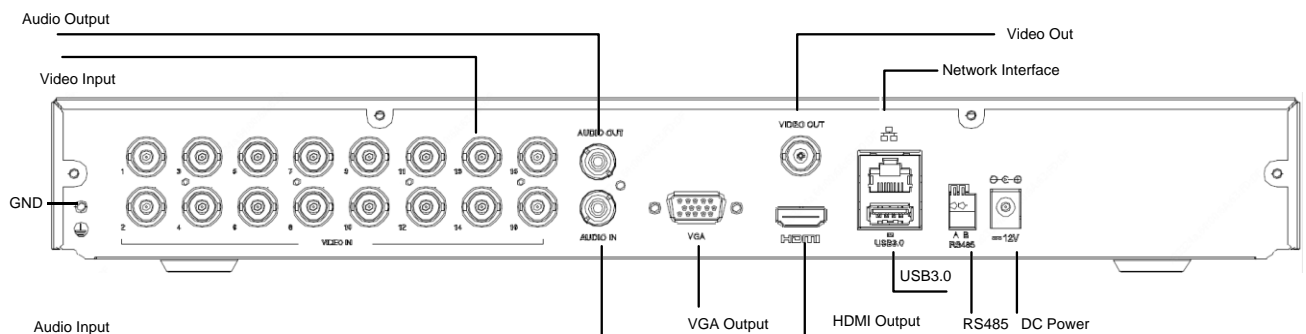
Power Supply	12V DC Power Consumption: ≤ 8 W(without HDD)	12V DC Power Consumption: ≤ 12 W(without HDD)
Working Environment	-10°C~+ 55°C (+14°F~+131°F), Humidity ≤ 90% RH (non-condensing)	
Dimensions(W×D×H)	380mm ×315mm× 53mm (15" × 12.4"×2.1")	
Weight (without HDD)	≤1.9 Kg (4.19lb)	

Dimensions



Rear Panel

Take XVR302-16Q for example





Zhejiang Uniview Technologies Co., Ltd.

Building No.10, Wanlun Science Park, Jiangling Road 88, Binjiang District, Hangzhou, Zhejiang, China

Email: overseasbusiness@uniview.com; globalsupport@uniview.com

<http://www.uniview.com>

©2020 Zhejiang Uniview Technologies Co., Ltd. All rights reserved.

* Product specifications and availability are subject to change without notice.