

MPT210

Body Worn Camera



- 2.8 inch touch screen, 8-core 2GHz CPU
- Support 30fps@2K(2560*1440) recording, the image resolution up to 34MP(7808*4400)
- H.265/H.264 high compression coding
- Horizontal field 120°, image distortion is less than 20%
- Support one-key to start video/audio recording
- Support laser positioning LED light, IR mode, OSD overlay, pre-record and post-record
- Support 4G, WIFI, NFC, bluetooth, GPS, GLONASS, Beidou and compass
- Battery capacity is 3200MAh (4.35V), support change battery without power loss in 15 minutes
- Support IP67, drop proof 2 meters



System Overview

MPT210 is a body worn camera which can be used as a law-enforcement video recoder. This device support one key to start high-definition real-time recording, and all the information such as GPS and video can be uploaded to VMS by wireless network: 3G/4G/WIFI. It can also support audio communication between devices in one group. The supported wireless network band are below:

CDMA EVDO:BC0
 GSM: B2/B3/B5/B8
 WCDMA: B1/B2/B5/B8
 TD-SCDMA: B34/B39
 LTE-FDD: B1/B3/B5
 LTE-TDD: B38/B39/B40/B41

This individual portable audio&video recorder designed for particular fields or departments, such as police, military, urban management, forensic, insurance, energy resources and etc.

Functions

One key recording and remote live monitor
 Press one button to trigger to start audio or video recording, and with wireless network, the video can be sent to VMS, and on VMS client, it can do remote live monitor.

Group talking

Administrator can build groups and add different users into one group, users can talk and send message to other members in this group.

3G/4G/WIFI

Embedded with 3G/4G/WIFI module, the device can register into a public network to connect with VMS, and can send all the information(video/audio/alarm/gps) through wireless network.

GPS

Embedded GPS module can receive location information and upload to VMS, and the user can be tracked on the electric map of VMS.

Alarm push

When in emergency, users can press the alarm button to trigger an alarm and send to VMS.

Technical Specification

System

Main Processor	2G 8-core CPU
Operating System	Android 6.0.1

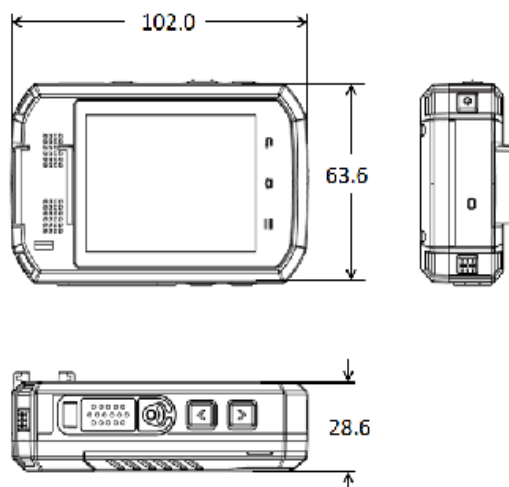
Video

Record Resolution	2K(2560*1440) /1080P/720P/WVGA
Compression	H.265/H.264
Image Resolution	34 MP (7808x4392)
Wide-angle	120°
IR	Max. IR Length 10m, support auto/manual mode to switch
Digital zoom	8x
Pre-record	≤60s
Post-record	≤60s
Laser positioning	Support
Key event mark	Support to mark the important video
OSD overlay	Support to overlay the recording time/ID/GPS etc

Storage

RAM	2G
ROM	32G

Dimensions (mm)



Screen

Dimension	2.8 inch colour LCD
-----------	---------------------

Auxiliary interface

USB	1 micro USB, support OTG
SIM card slot	1 micro SIM card slot

Network

Positioning system	GPS/GLONASS/BEIDOU/AGPS
Cellular	Support 4G(FDD-LTE)
WiFi	Support 802.11b/g/n/ac, support 2.4G/5G
NFC	Support
Bluetooth	Support Bluetooth 4.1

Battery

Capacity	4.35V/3200mAh. Removable. Support replacing battery without switching off the device
Standby Time	7 days
Recording Time	13h 30fps@1080p recording
Battery change	Support

General

Ingress Protection	IP67
Drop proof	2 meters
Working temperature	-30 °C~55 °C
Dimension(mm)	102x63.6x28.6mm
Weight	215g (with clamp)