



# Robot Vacuum & Mop + Smart Auto-Empty Dock



## 70 Days without Emptying

Auto-empty with 4L large dust bag

### Highly Efficient Navigation

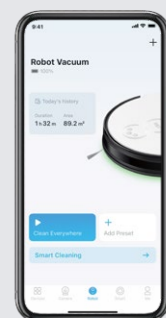
Reduces missed areas and repeated cleaning

### Vacuum and Mop Combo

Tackles sticky messes and kitchen grease

### Strong 2000Pa Suction

Easily cleans pet hair, daily messes, and more



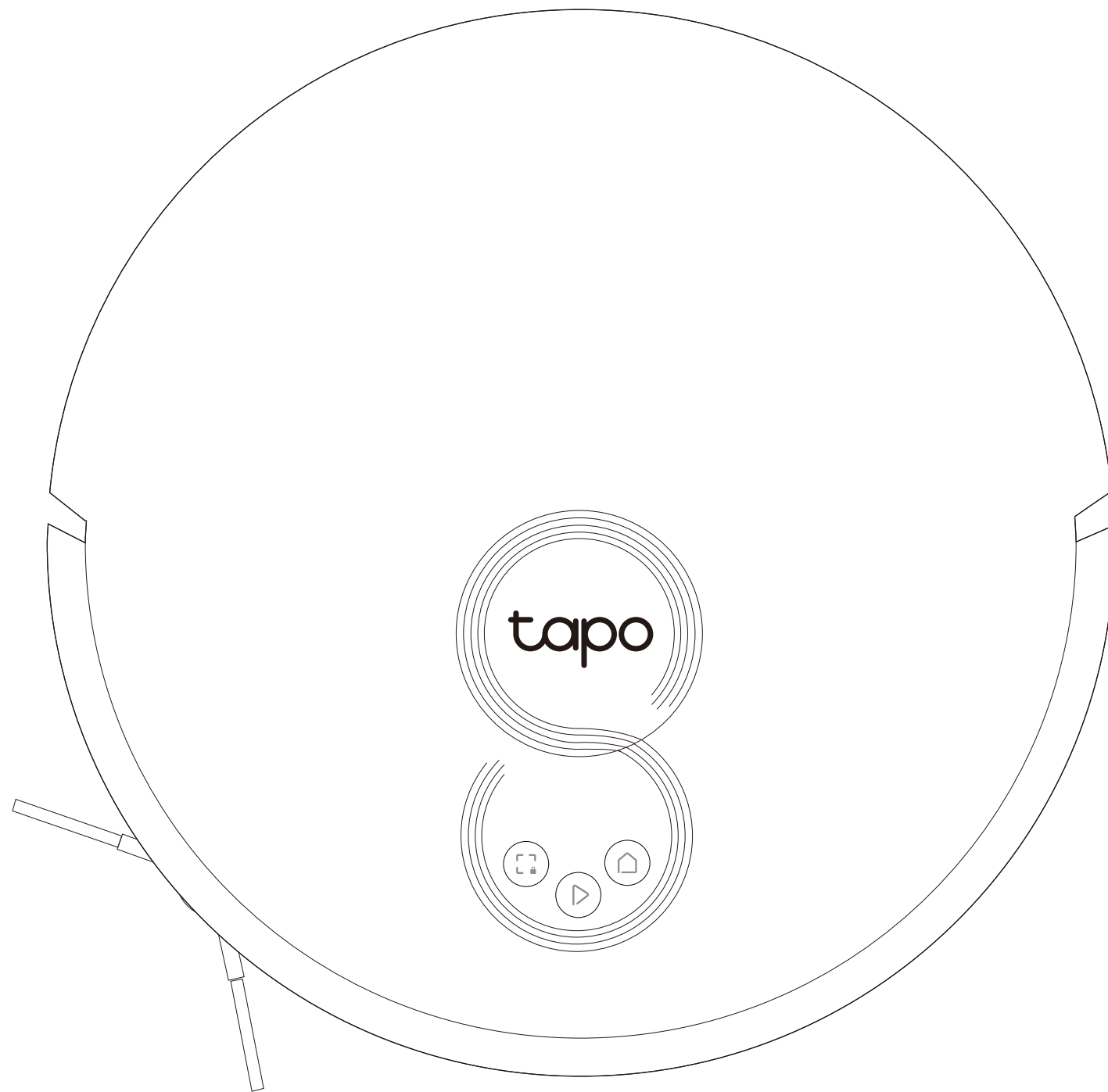
App Control



Tapo RV10 Plus

# // Overview

## Robot Vacuum



### Power/Clean

- Press once: Start/pause cleaning.
- Press and hold for 5 seconds: Turn on/off the robot vacuum.

\*For the first use, slide the power switch from OFF to ON to turn on.



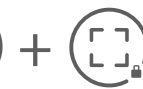
### Dock

- Return to the dock to charge.
- Empty the bin when docked.



### Spot Cleaning/Child Lock

- Press once: Start spot cleaning.
- Press and hold for 5 seconds: Turn on/off the child lock.



### Combination Button

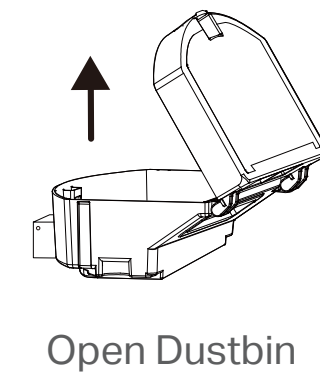
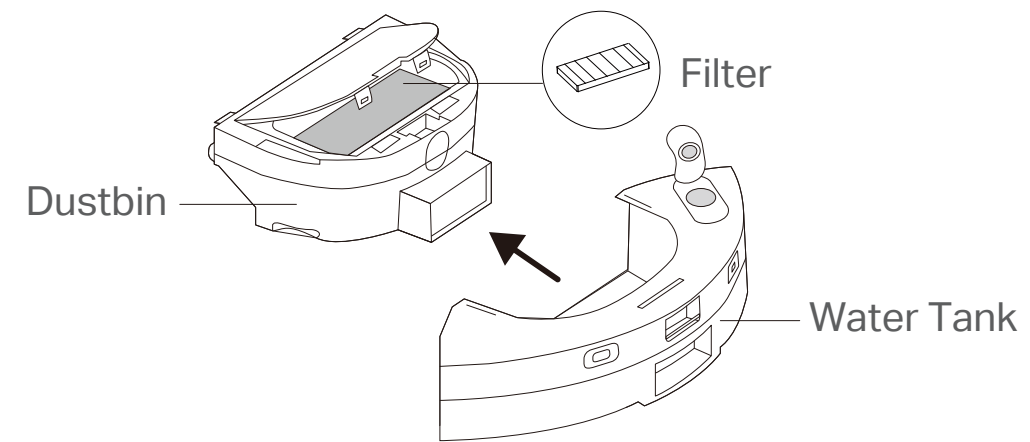
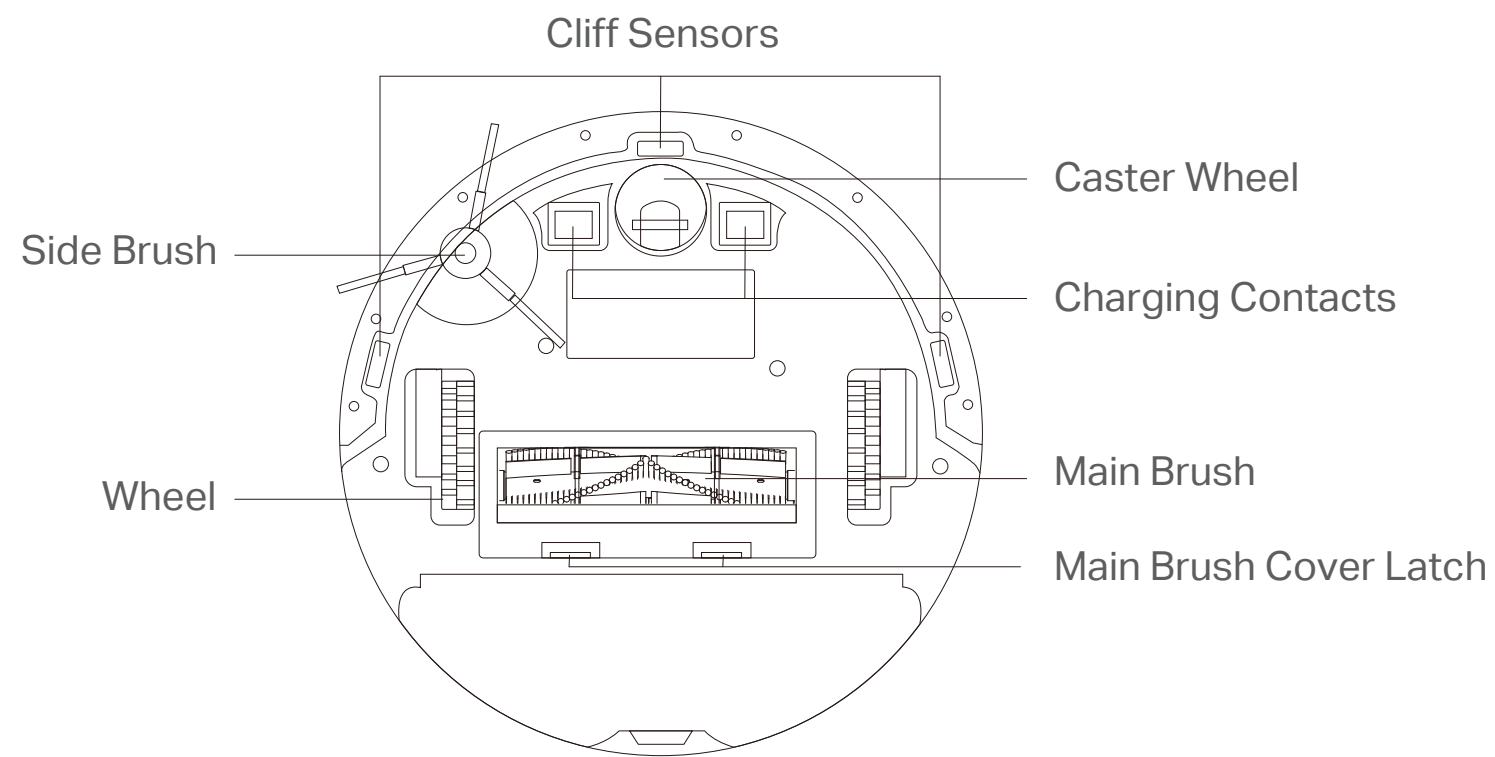
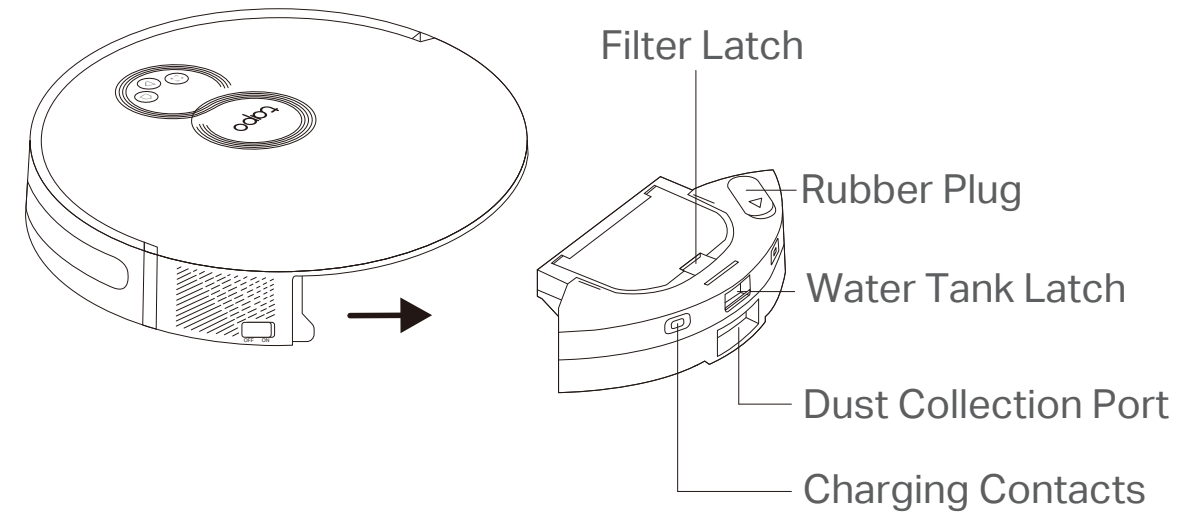
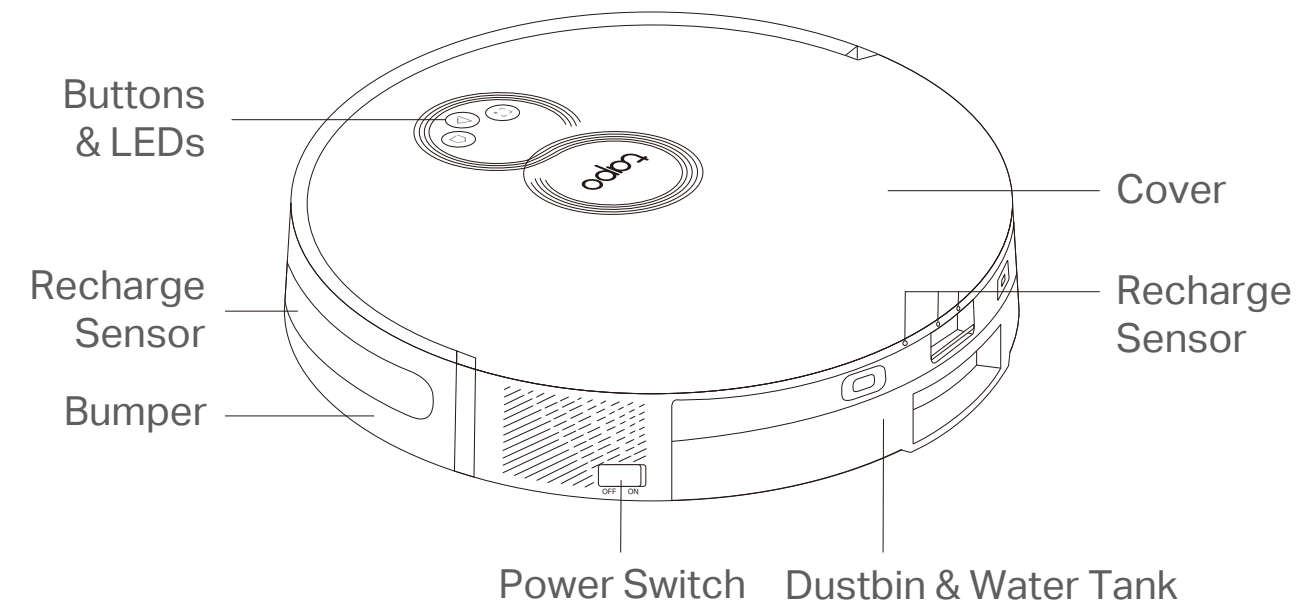
- Press and hold simultaneously for 5 seconds:  
Enter setup mode to configure network.
- Press and hold simultaneously for 10 seconds:  
Restore to factory default settings.



### LED

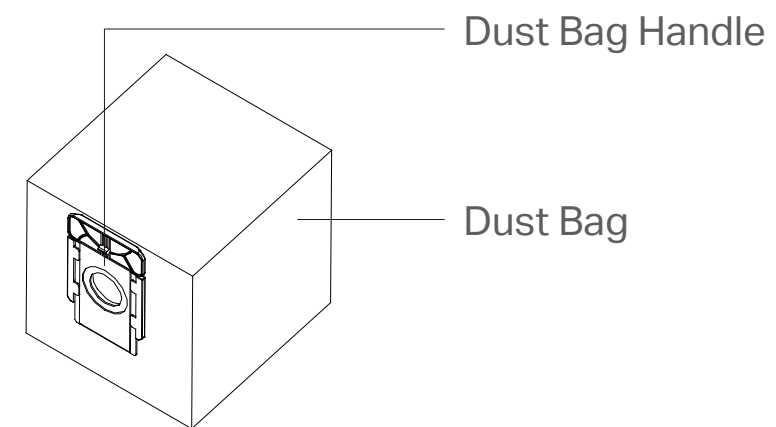
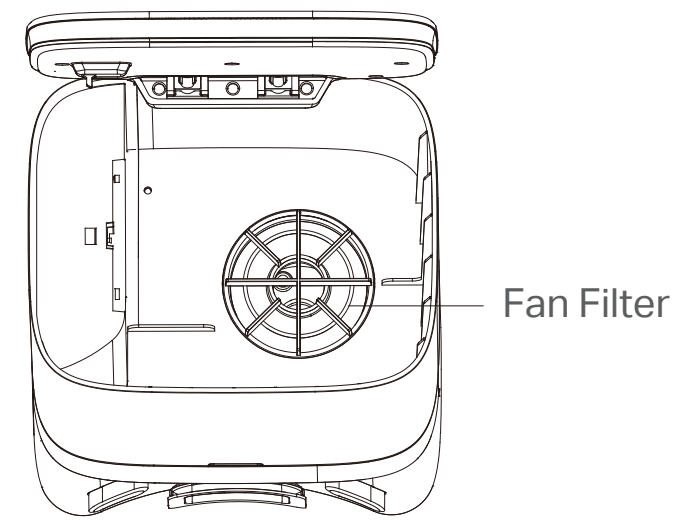
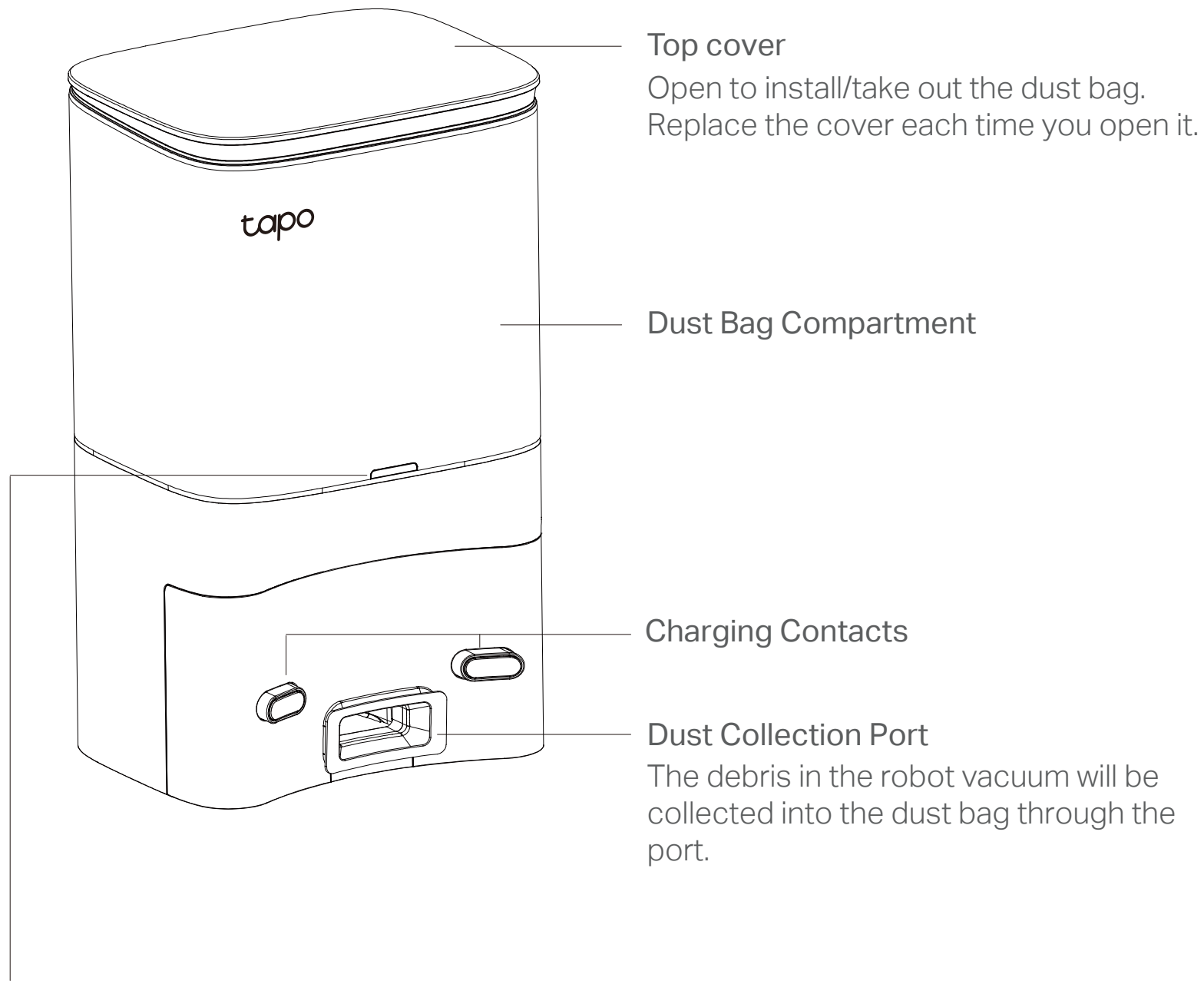
- **Red:** Battery level < 20%; Error
- **Orange:** Battery level between 20% and 80%
- **Green:** Battery level > 80%

# Overview



# // Overview

## Auto-Empty Dock



### LED Indicator

- **White:** Working properly
- **Off:** Robot vacuum is connected to the dock; sleeping.
- **Solid Red:** Dust bag not installed; top cover not closed.
- **Flashing Red:** Error

## // Highlights

### Up to 70 Days Hands-Free Cleaning

- **No-Fuss Auto Empty**  
Automatically empties its dustbin after cleaning to keep your hands free
- **4L Sealed Disposable Dust Bag**  
Dust stays out of sight for up to 70 days and your hands stay clean†
- **Empties without Residue**  
The dock's strong 27000Pa suction power and shortened air duct help empty the dustbin within moments
- **Reduces Untimely Noise Interference**  
Auto-adjusts emptying duration and follows do-not-disturb schedules to avoid noisy interruptions



## // Highlights



### Strong Suction Power, Low Noise

Four vacuum modes with different levels of suction power meet various cleaning needs. With a maximum suction power of 2000Pa, the Tapo Robot Vacuum is ideal for direct, powerful cleaning for carpets and hard floors.

### Auto-Boost for Your Carpets

Automatically adjusts the suction power to the max mode when encountering carpets.

### Quiet Cleaning

Lowers noise levels down to 53 dB while in use—quieter than a running microwave.<sup>^</sup>



### High-Efficiency Path Planning

Smart systematic navigation guides RV10 Plus to organize a neat s-shaped route for higher cleaning efficiency and fewer omissions compared with random-path robotic vacuums.

### Thin Enough to Slide In

Slides into hard-to-reach areas with ease thanks to its super-slim 7.9 cm / 3.1 in body.

### Anti-Drop Protection

Multiple cliff sensors avoid falls down stairs and ledges.



### Mops and Vacuums Simultaneously

Mopping is essential for houses with hard floors which need regular polishing. Vacuuming and mopping in one trip turns your thankless chore time into me time.

### Huge Water Tank Capacity

A full-size 300ml water tank covers up to 200 m<sup>2</sup> / 2100 ft<sup>2</sup>.<sup>§</sup>

### 3-Level Electronic Mopping

Provides 3 water flows to suit different floor types with consistent and steady water pressure.

# // Specifications

## Care and Maintenance

To maintain optimal performance, maintain the robot vacuum according to the following guidelines.

Part	Maintenance Frequency	Replacement Frequency*
Dustbin	Clean/wash as needed	/
Filter	Once a week	3-6 months
Main Brush	Every 2 weeks	6-12 months
Side Brush	Once a month	3-6 months
Dust Bag	/	Replaced when it is full
Mop Cloth	After each use	2-3 months
Caster Wheel	Clean as needed	/
Main Wheels	Once a month	/
Sensors	Once a month	/
Charging Contacts	Once a month	/

\*Replacement frequency may vary depending on the actual situation. Parts should be replaced if visible wear appears.

# // Specifications

## Mapping & Navigation Features

- Mapping/Path Planning: Gyroscope
- Obstacle Avoidance: Infrared
- Barrier-Cross Height: 20 mm/0.79 in
- Anti-Drop Protection: Yes

## Dock Features

- Auto Dust Collection: Yes
- Suction Power of Auto-Empty Dock: 27000Pa
- Dust Bag Capacity: 4 L

## Vacuuming Features

- Max Suction Power: 2000Pa
- Suction Level Adjustment: 4 levels
- Dustbin Capacity: 350ml
- Dustbin Detection: Yes
- HEPA Filter: Yes
- Carpet Boost: Yes, Electricity Recognition

## Mopping Features

- Wet Mopping : Yes
- Mopping Type: Electric Water Flow Control
- Water Level Adjustment: 3 levels
- Water Tank Capacity: 300ml

## Battery

- Battery Capacity : 2600 mAh
- Recharge & Resume: Yes

## App Features

- Real-Time Tracking: Yes
- Scheduled Cleaning: Yes



# // Specifications

## Physical

- Product Dimensions:

Robot Vacuum: 342.6 × 342.2 × 78.5 mm (13.5 × 13.5 × 3.1 in)

Auto-Empty Dock: 227 × 191.4 × 381.3 mm (8.9 × 7.5 × 15 in)

- Package Contents:

Robot Vacuum Cleaner ×1

Auto-Empty Dock ×1

Mop Cloth Mount ×1

Quick Installation Guide

Washable Mop Cloth ×1

4L Disposable Dust Bag ×2

Side Brush ×2

HEPA Filter ×2

Cleaning Brush ×1

## Others

- Wireless Connection:

IEEE 802.11 b/g/n, 2.4 GHz band only;

Bluetooth 4.2 (only for onboarding)

- Rated Input Voltage: 220-240 VAC, 50Hz

- Max Charging Power Consumption: 18W (DC24V 750mA)

- Max Working Power Consumption:

Robot Vacuum: 25W

Auto-Empty Dock: 950W

- Works with Google Home: Yes

- Works with Amazon Alexa: Yes

<sup>†</sup>Based on Internal testing. Actual emptying intervals are subject to change due to usage and environmental factors.

<sup>‡</sup>Based on internal testing carried out by the manufacturer, using quiet vacuuming mode with a full battery. Actual results may vary according to the working status and home environment.

<sup>§</sup>Based on internal testing carried out by the manufacturer, using low water flow with a full battery. Actual results may vary according to the home environment. It is recommended to mop with Tapo Multi-Surface Floor Cleaning Solution.

<sup>^</sup>Based on internal testing carried out by the manufacturer, using quiet vacuuming mode. Actual results may vary according to the working status.