



Network

Купольные

QNV-C9083R

8MP IR Vandal Dome Camera



Key Features

- Max. 8MP resolution
- Max. 30fps
- Color: 0.06Lux(F1.6, 1/30sec), BW: 0.006Lux(F1.6, 1/30sec, 30IRE)
- Focal length: 3.2~10.2mm(3.2X) motorized varifocal
- H.265, H.264, MJPEG codec supported
- Multiple streaming (up to 5 profiles)
- Day & Night (ICR), WDR (120dB)
- Micro SD/SDHC/SDXC 1 slot 256GB
- IP66, IK10
- PoE: Max 12.95W

QNV-C9083R

8MP IR Vandal Dome Camera



Specifications

Video	
Imaging Device	1/2.8" CMOS
Resolution	3840x2160, 3328x1872, 3072x1728, 2592x1944, 2688x1520, 1920x1080, 1600x1200, 1280x1024, 1280x960, 1280x720, 1024x768, 800x600, 800x448, 720x576, 720x480, 640x480, 640x360, 320x240
Max. Framerate	H.265/H.264: Max. 30fps/25fps(60Hz/50Hz) MJPEG: Max. 30fps(@8MP Max. 5fps)
Min. Illumination	Color: 0.06Lux(F1.6, 1/30sec, 30IRE) BW: 0.006Lux(F1.6, 1/30sec, 30IRE), 0Lux(IR LED on)
Video Out	USB: Micro USB Type B, 1280x720 for installation
Lens	
Focal Length (Zoom Ratio)	3.2~10.2mm(3.2x) motorized varifocal
Max. Aperture Ratio	F1.6(Wide)~F3.1(Tele)
Angular Field of View	H: 104°(Wide)~31°(Tele) V: 55°(Wide)~17°(Tele) D: 124°(Wide)~35°(Tele)
Min. Object Distance	1.2m (3.93ft)
Focus Control	Simple focus
Lens Type	DC auto iris(IR corrected)
Pan / Tilt / Rotate	
Pan / Tilt / Rotate Range	0°~350° / -35°~70° / 0°~355°
Operational	
Camera Title	Displayed up to 85 characters
Day & Night	Auto(ICR)
Backlight Compensation	BLC, WDR, SSSDR
Wide Dynamic Range	120dB
Digital Noise Reduction	SSNR V, WiseNR II (Based on AI engine)
Motion Detection	8ea, 8point polygonal zones
Privacy Masking	32ea, 4point quadrangle zones
Gain Control	Low / Middle / High
White Balance	ATW / AWC / Manual / Indoor / Outdoor
LDC	Support
Electronic Shutter Speed	Minimum / Maximum / Anti flicker (1/5~1/12,000sec)
Video Rotation	Flip, Mirror, Hallway view(90°/270°)

Analytics	Classified object type: Person/Vehicle Attributes: Vehicle(Type:car/bus/truck/motorcycle/bicycle) Support DetectionShot Analytics events based on AI engine - Motion detection*, Object detection, Virtual line*(Crossing/Direction), Virtual area*(Loitering/Intrusion/Enter/Exit) Analytics events - Defocus detection, Tampering, Virtual area(Appear/Disappear) * Some of the video analytics only works with people and vehicle detection
Business Intelligence	Based on AI engine: People counting, Vehicle counting, Queue management, Heatmap
Alarm I/O	Input 1ea / Output 1ea * Alarm I/O is supported through an optional cable(SPP-C7400)
Alarm Triggers	Analytics, Network disconnect, Alarm input
Alarm Events	When alarm trigger occurred - File upload(image) : e-mail/FTP - Notification : e-mail - Recording : SD/SDHC/SDXC or NAS recording at event triggers - Alarm output - Handover(PTZ preset, Send message by HTTP/HTTPS/TCP) - Audio clip playback
Audio In	Selectable(mic in/line in) * Audio In is supported through an optional cable(SPP-C7400)
Audio Out	Line out, Max.output level: 0.5Vrms * Audio Out is supported through an optional cable(SPP-C7400)
IR Viewable Length	30m(98.42ft)
IR Wavelength	long-life 850 nm IR LED
Network	
Ethernet	RJ-45(10/100BASE-T)
Video Compression	H.265/H.264: Main/High, MJPEG
Audio Compression	G.711 u-law /G.726 Selectable G.726(ADPCM) 8KHz, G.711 8KHz G.726: 16Kbps, 24Kbps, 32Kbps, 40Kbps AAC-LC: 48Kbps at 16KHz
Smart Codec	Manual(5ea area), WiseStreamIII(Based on AI engine)
Bitrate Control	H.264/H.265: CBR or VBR MJPEG: VBR
Streaming	Unicast(20 users) / Multicast Multiple streaming(Up to 5 profiles)
Protocol	IPv4, IPv6, TCP/IP, UDP/IP, RTP(UDP), RTP(TCP), RTCP, RTSP, NTP, HTTP, HTTPS, SSL/TLS, DHCP, FTP, SMTP, ICMP, IGMP, SNMPv1/v2c/v3(MIB-2), ARP, DNS, DDNS, QoS, UPnP, Bonjour, LLDP, CDP, SRTP (TCP, UDP Unicast)
Application Programming Interface	ONVIF Profile S/G/T/M SUNAPI(HTTP API)
Security	
OS / Firmware Protect	Secure boot, Signed firmware, Firmware encryption
User authentication	Digest Authentication, Prevent brute-force attack
Network authentication	802.1X Authentication(EAP-TLS, EAP-LEAP, EAP-PEAP MSCHAPv2)
Secure Communication	HTTPS, SRTP, WSS(Websocket secure)
Access Control	Access control based on IP address
Data Protect	Authentication information encryption, ZIP compression encryption
Audit	User Access/System/Event log management
Device ID	Device Certificate(Hanwha Private Root CA)
Secure Storage	SDcard partition encrypt
Security Certificate	Secure by default

General

Webpage Language	English, Korean, Chinese, French, Italian, Spanish, German, Japanese, Russian, Portuguese, Czech, Polish, Turkish, Dutch, Hungarian, Greek
Edge Storage	Micro SD/SDHC/SDXC 1slot 256GB
Memory	2GB RAM, 1GB Flash

Environmental & Electrical

Operating Temperature / Humidity	-30°C~+55°C(-22°F~+131°F) / 0~95% RH(non-condensing) * Start up should be done at above -30°C Humidity control /w Air vent
Storage Temperature / Humidity	-50°C~+60°C(-58°F~+140°F) / 0~95% RH
Certification	IP66, IK10
Input Voltage	PoE(IEEE802.3af, Class3)
Power Consumption	PoE: Max 12.95W, typical 5.3W

Mechanical

Color / Material	White / Aluminum Bubble : Hard-coated dome
RAL Code	RAL9003
Product Dimensions / Weight	ø140x110.2mm(ø5.51x4.34"), 875g(1.93 lb)
Compatible Conduit hole / Gangbox	Conduit hole : None Gangbox : Single, Double, 4" Octagon
Hanging Mount (Dome)	SBP-140HMW
Backbox	SBV-140BW

Certifications & Standards

EMC	FCC 47 CFR 15 Subpart B Class A ICES-3(A)/NMB-3(A) CE/UKCA - EN 55032 Class A, EN 50130-4, EN 61000-3-2, EN 61000-3-3 VCCI CISPR 32 Class A RCM AS/NZS CISPR 32 Class A
Safety	UL 62368-1, CAN/CSA C22.2 NO. 62368-1 IEC/EN 62471
Environment	IEC/EN 63000 IEC/EN 60529 IP66, IEC/EN 62262 IK10

DORI (EN62676-4 standard)

Detect (25PPM/ 8PPF)	Wide: 60.0m(196.86ft) / Tele: 276.9m(908.57ft)
Observe (63PPM/ 19PPF)	Wide: 24.2m(78.74ft) / Tele: 111.7m(363.43ft)
Recognize (125PPM/ 38PPF)	Wide: 12.0m(39.37ft) / Tele: 55.4m(181.71ft)
Identify (250PPM/ 76PPF)	Wide: 6.0m(19.69ft) / Tele: 27.7m(90.86ft)

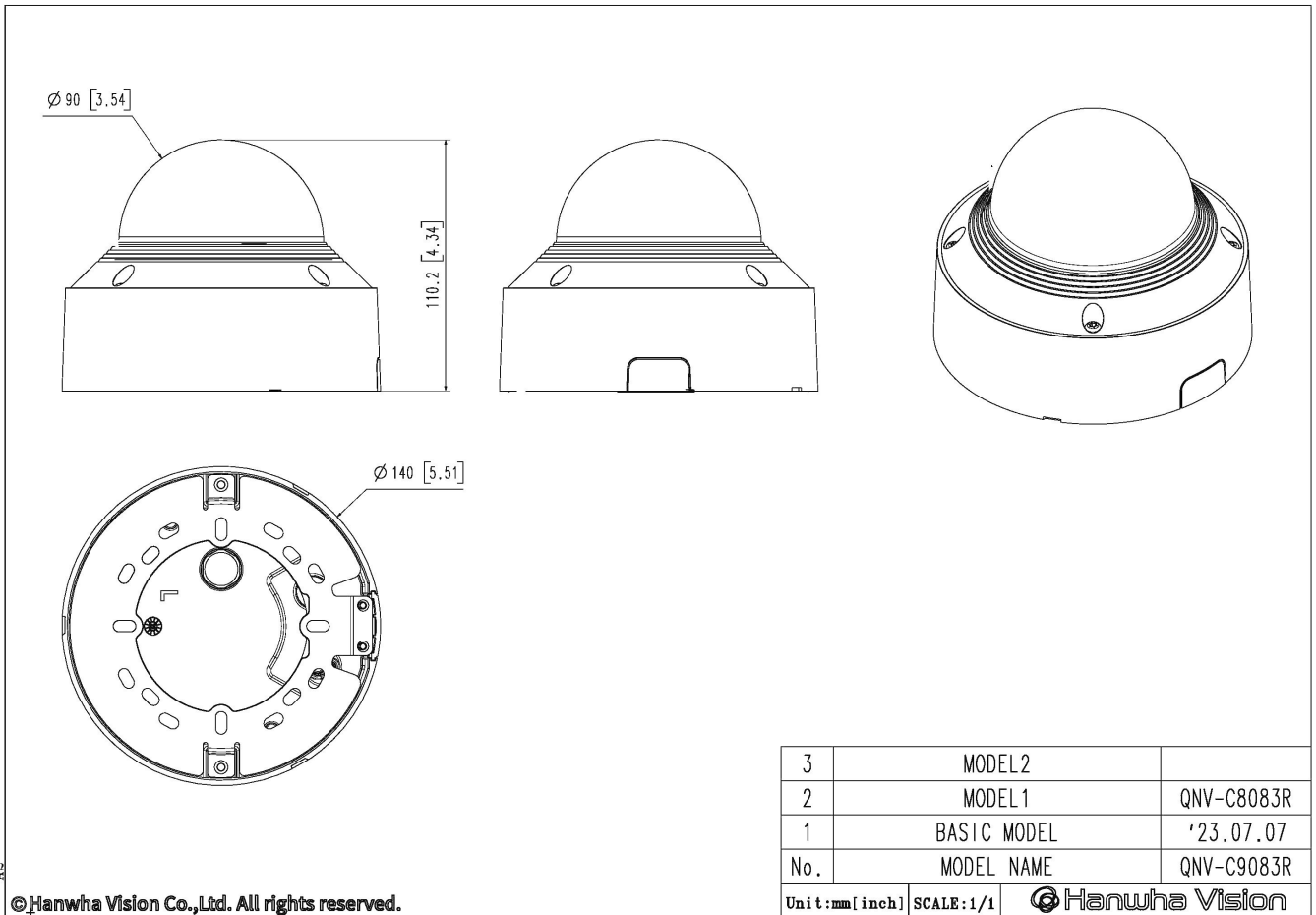
QNV-C9083R

8MP IR Vandal Dome Camera



CAD

Unit:mm [inch]



© Hanwha Vision Co.,Ltd. All rights reserved.