

DHI-ASF280B-V1

Magnetic Lock



- Built of aluminum alloy and treated with surface oxidation, making it suitable for indoor scenes.
- Embedded reverse current protection equipment.
- Built with anti-wear materials and has an anti-residual magnetism design.
- Displays the status with the LED indicator.
- 5-wire that supports door detector signal feedback.
- Has a long service life, allowing it to be powered on up to 40,000 times as indicated by the aging test.
- Completely relies on the electromagnetic force and is free from mechanical failure.
- Automatically unlocks the door when the device is powered off.
- Suitable for doors made of a variety of materials such as wood, glass, metal and fireproof materials.
- Compatible with all Dahua access control devices, and other mainstream access control devices.

DHI-ASF280B-V1

Technical Specification

Basic

Product Type	Magnetic lock
Casing Material	Aluminum alloy
Surface Treatment	Electroplating and drawing
Suction Plate Dimensions	180 mm × 38 mm × 13 mm (7.09" × 1.50" × 0.51") (2 pcs)

Function

Signal Output	COM/NO/NC
Door Status Detection	1, relay
Security	Open while power off

Performance

Max Tension	280 kg (617.29 lb) (2 pcs), tensile force
Unlock Angle	90°

General

Applicable Door Thickness	5 cm–15 cm (1.97"–5.91")
Power Adapter	Optional
Power Supply	12 VDC, 510 mA (2 pcs)
Power Consumption	≤12.2 W (working)
Lifespan	40000
Product Dimensions	500 mm × 48.6 mm × 26 mm (19.69" × 1.91" × 1.02")
Packaging Dimensions	520 mm × 63 mm × 66 mm (20.47" × 2.48" × 2.60") (package) 540 mm × 220 mm × 160 mm (21.26" × 8.66" × 6.30") (transport package)
Operating Temperature	-20 °C to +55 °C (-4 °F to +131°F)
Operating Humidity	5%–95% (RH), non-condensing
Operating Environment	Indoor
Gross Weight	4.2 kg (9.26 lb)
Accessory	DHI-ASF280ZL-V1, DHI-ASF280L-V1, and DHI-ASF280U-V1
Installation	Surface Mount
Anti-corrosion Level	Basic Protection

Ordering Information

Type	Part Number	Description
Magnetic Lock	DHI-ASF280B-V1	Magnetic Lock

Accessories

Optional:



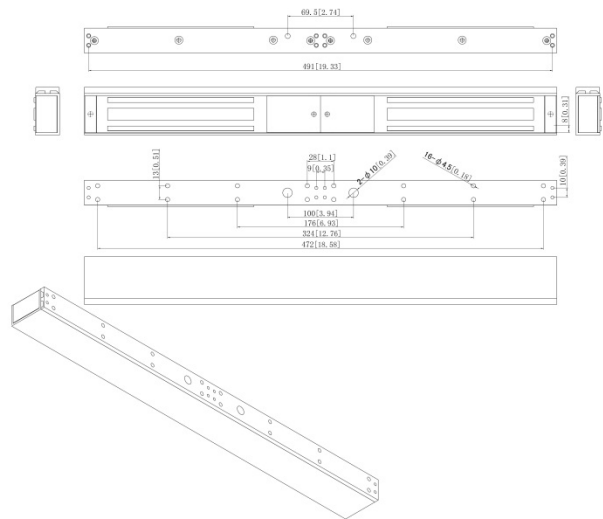
DHI-ASF280L-V1
Magnetic Lock Bracket



DHI-ASF280U-V1
Magnetic Lock Bracket



DHI-ASF280ZL-V1
Magnetic Lock Bracket



DHI-ASF280B-V1

Dimensions (mm[inch])

