

# DH-IPC-HF5241F-ZE

2MP Box WizMind Network Camera



Launched by Dahua Technology, Dahua WizMind is a full portfolio of solutions composed of project-oriented products including IPC, IVSS, NVR, PTZ, XVR, Thermal and software platform which adopts industry-leading deep learning algorithms. Focusing on customer's requirements, WizMind provides precise, reliable and comprehensive AI solutions for verticals.

## Series Overview

Driven by deep learning algorithms, Dahua WizMind S Series network camera offers a variety of intelligent functions that greatly improve the accuracy of audio and video analysis. It supports video metadata, smart sound detection, face detection, perimeter protection, people counting and more. The camera also adopts advanced image processing AI ISP technology and has the Deeplight night vision effect. The camera is dustproof, waterproof and vandal-proof, and is certified as IP67 and IK10 (the type of protection varies depending on the model).

## Functions

### AI-ISP

With AI ISP technology, the camera is able to easily adapt to scenes, producing high quality images that reveal the fine details of targets.

### Self-Learning

Empowered by deep learning technology, the device recognizes different types of targets and their statuses through learning and analyzing target features to detect targets and filter out false alarms.

### Perimeter Protection

With deep learning algorithm, Dahua Perimeter Protection technology can recognize human and vehicle accurately. In restricted area (such as pedestrian area and vehicle area), the false alarms of intelligent detection based on target type (such as tripwire, intrusion, fast moving, parking detection, loitering detection and gathering detection) are largely reduced.

### AcuPick

This industry-leading search technology effectively utilizes both front-end and back-end intelligence to help with searching through massive video data to quickly and conveniently locate targets with greater precision.

**\* The parameters and datasheets below can only be applied to 5241-Z-S3 series.**

- 2-MP 1/2.8" CMOS image sensor, low luminance, and high definition image.
- Outputs max. 2MP (1920×1080) @25/30 fps.
- ROI, SVC, SMART H.264+/H.265+, AI H.264/H.265, encoding after filter, flexible coding, applicable to various bandwidth and storage environments.
- Rotation mode, WDR, 3D NR, HLC, BLC, digital watermarking, applicable to various monitoring scenes.
- With deep learning algorithm, it supports: video metadata, smart sound detection, IVS, face detection, smart object detection, and people counting, etc.
- Alarm: 2 in, 2 out; audio: 2 in, 1 out; 485; BNC; supports max. 1 TB Micro SD card, built-in MIC.
- Supports P-iris, the camera can control the iris more precisely for better image effect.
- 24 VAC/12 VDC/PoE power supply; ePoE.
- SMD 3.0.



### People Counting

With deep learning algorithm, Dahua People Counting technology can track and process moving human body targets to realize the accurate statistics of enter No., leave No., and In Area No. Working with management platform, it outputs reports to meet your requirements.

### Video Metadata

With deep learning algorithm, Dahua Video Metadata technology can detect, track, capture vehicle, non-motor vehicle and people, and select the best images, and extract attributes.

### Protection (Wide Voltage)

Wide voltage: The camera allows  $\pm 30\%$  (for some power supplies) input voltage tolerance (wide voltage range), and it is widely applied to outdoor environment with instable voltage.

### Technical Specification

#### Camera

Image Sensor	1/2.8" CMOS
Max. Resolution	1920 (H) × 1080 (V)
ROM	4 GB
RAM	1 GB
Scanning System	Progressive
Electronic Shutter Speed	Auto/Manual 1/3 s–1/100,000 s
Min. Illumination	With 10 mm–40 mm lens: 0.0006 lux@F1.2 (Color, 30 IRE) 0.0003 lux@F1.2 (B/W, 30 IRE)
S/N Ratio	>56 dB

#### Lens

Lens Mount	C/CS
------------	------

#### Intelligence

IVS (Perimeter Protection)	Intrusion, tripwire, fast moving (the three functions support the classification and accurate detection of vehicle, animal and human); loitering detection, people gathering, parking detection. Supports long-distance mode. Supports self-learning, it filters out false alarms.
Smart Object Detection	Smart abandoned object; smart missing object
SMD	SMD 3.0
Acupick	Uses deep learning algorithms and works with back-end devices to accurately match targets, such as people, animal, and motor vehicles, and search through live and recorded videos to quickly locate targets.
AI SSA	Yes
Face Detection	Face detection; track; snapshot; snapshot optimization; optimal face snapshot upload; face enhancement; face exposure; face attributes extraction including 6 attributes and 8 expressions; face snapshot set as face, one-inch photo or custom; snapshot strategies (real-time snapshot, quality priority and optimization snapshot); face angle filter; optimization time setting.
People Counting	Tripwire people counting, generating and exporting report (day/week/month/year); people counting in area and queue management; generating and exporting report (day/week/month); 4 rules can be set for tripwire, people counting in area and queue management.
Heat Map	Yes
Video Metadata	Motor vehicle, non-motor vehicle, face, human body detection; track; snapshot; snapshot optimization; optimal face snapshot upload. Motor vehicle attributes: vehicle type, vehicle color, vehicle logo and other attributes : seatbelt, smoking, calling. Non-motor vehicle attributes: type, color, number of people, top type and color, hat. Human body attributes: gender, top/bottom type and color, bag, hat and umbrella. Face attributes: gender, age, expressions, glasses, face mask and beard.
Smart Search	Work together with Smart NVR to perform refine intelligent search, event extraction and merging to event videos
Smart Sound Detection	Yes

#### Video

Video Compression	H.265; H.264; H.264H; H.264B; MJPEG (Only supported by the sub stream)
Smart Codec	Smart H.265+; Smart H.264+
AI Coding	AI H.265; AI H.264
Video Frame Rate	Main stream: 1080p@(1–25/30 fps) Sub stream: D1@(1–25/30 fps) Third stream: 1080p@(1–25/30 fps) Fourth stream: 720p@(1–25/30 fps) *The values above are the max. frame rates of each stream; for multiple streams, the values will be subjected to the total encoding capacity.
Stream Capability	4 streams
Resolution	1080p (1920 × 1080); 1.3M (1280 × 960); 720p (1280 × 720); D1 (704 × 576/704 × 480); VGA (640 × 480); CIF (352 × 288/352 × 240)
Bit Rate Control	CBR/VBR
Video Bit Rate	H.264: 32 kbps–12032 kbps; H.265: 12 kbps–7424 kbps
Day/Night	Auto(ICR)/Color/B/W
BLC	Yes
HLC	Yes
WDR	120 dB
Scene Self-adaptation (SSA)	Yes
White Balance	Auto; natural; street lamp; outdoor; manual; regional custom
Gain Control	Auto
Noise Reduction	3D NR
Motion Detection	OFF/ON (4 areas, rectangular)
Region of Interest (RoI)	Yes (4 areas)
Image Stabilization	Electronic Image Stabilization (EIS)
Defog	Yes
Image Rotation	0°/90°/180°/270° (Support 90°/270° with 1080p resolution and lower)
Mirror	Yes
Privacy Masking	8 areas

#### Audio

Built-in MIC	Yes
Audio Compression	G.711a; G.711Mu; PCM; G.726; G.723

#### Alarm

Alarm Event	No SD card; SD card full; SD card error; network disconnection; IP conflict; illegal access; motion detection; video tampering; tripwire; intrusion; fast moving; abandoned object; missing object; loitering detection; people gathering; parking detection; scene changing; audio detection; external alarm; face detection; video metadata; SMD; people counting in area; stay detection; people counting; people number error detection; queue people number alarm; queue time alarm; security exception; defocus detection
-------------	---

### Network

Network Port	RJ-45 (10/100 Enhancement Base-T)
SDK and API	Yes
Network Protocol	IPv4; IPv6; HTTP; TCP; UDP; ARP; RTP; RTSP; RTCP; RTMP; SMTP; FTP; SFTP; DHCP; DNS; DDNS; QoS; UPnP; NTP; Multicast; ICMP; IGMP; NFS; SAMBA; PPPoE; SNMP; P2P; Auto Register
Interoperability	ONVIF (Profile S/Profile G/Profile T/Profile M); CGI;
User/Host	20 (Total bandwidth: 80 M)
Storage	FTP; SFTP; Micro SD card (support max. 1 TB); NAS
Browser	IE: IE 9 and later Chrome: Chrome 102 and later Firefox: Firefox 88 and later
Management Software	SmartPSS Lite; DSS; DMSS
Mobile Client	iOS; Android
Security	Trusted execution; Digest; Security logs; WSSE; Account lockout; Syslog; 802.1x; IP/MAC filtering; HTTPS; Trusted upgrade; Trusted boot; Generation and importing of X.509 certification

### Certification

Certifications	CE-LVD: EN62368-1; CE-EMC: Electromagnetic Compatibility Directive 2014/30/EU; FCC: 47 CFR FCC Part 15, Subpart B; UL/CUL: UL62368-1 & CAN/CSA C22.2 No. 62368-1-14
----------------	--

### Port

RS-485	1 (baud rate range:1200 bps–115200 bps)
Audio Input	2 channels (3.5mm JACK port)
Audio Output	1 channel (3.5mm JACK port)
Alarm Input	2 channels in: wet contact, 5mA 3V–5V DC
Alarm Output	2 channels out: dry contact, 1,000mA 30V DC/500mA 50V AC
Analog Output	1 channel (CVBS output: BNC)
Power Output	12 VDC power output, max. current 165 mA, peak current 700 mA

### Power

Power Supply	12 VDC/24 VAC/PoE (802.3af)/ePoE
Power Consumption	Basic: 4.8 W (12 VDC); 5.0 W (24 VAC); 5.6 W (PoE) Max. (H.265+ WDR+ Intelligence on): 8.8 W (12 VDC); 10.5 W (24 VAC); 11.1 W (PoE)

### Environment

Operating Temperature	-30 °C to +60 °C (-22 °F to +140 °F)
Operating Humidity	≤95%
Storage Temperature	-40 °C to +60 °C (-40 °F to +140 °F)
Storage Humidity	10%–95% (RH), non-condensing

### Structure

Casing Material	Metal
-----------------	-------

### Ordering Information

Type	Model	Description
2MP Camera	DH-IPC-HF5241F-ZE	2MP Box WizMind Network Camera
	IPC-HF5241F-ZE	2MP Box WizMind Network Camera
Accessories (Optional)	PFB121W	Wall Mount Bracket
	PFB110W	Ceiling Mount Bracket
	DH-PFL1040-A12PE	10-40mm Motorized Vari-Focal Lens
	PFH610V Series	Housings
	PFM321D	12 VDC 1 A Power Adapter
	PFM900-E	Integrated Mount Tester
TF-P100	MicroSD Memory Card	

### Accessories

Optional:



PFB121W  
Wall Mount  
Bracket



PFB110W  
Ceiling Mount Bracket



DH-PFL1040-A12PE  
10-40mm Motorized  
Vari-Focal Lens



PFH610V Series  
Housings



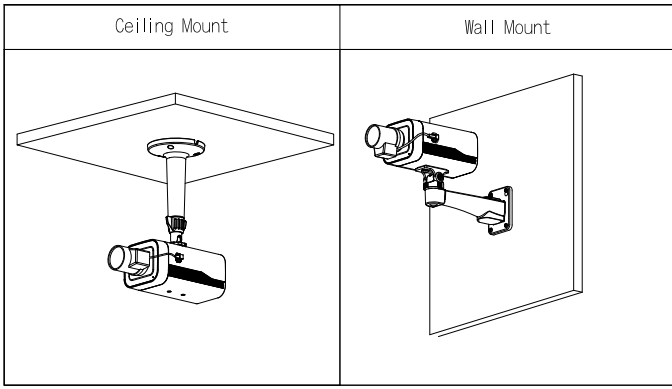
PFM321D  
12 VDC 1 A Power  
Adapter



PFM900-E  
Integrated  
Mount Tester



TF-P100  
MicroSD  
Memory Card



**Dimensions (mm[inch])**

