

DHI-ASF909-V1

Exit Button



- Includes two types of contact points: NC/COM and NO/COM.
- Designed to be sleek and elegant, it features a dual-color indicator light that turns green when in standby mode and blue when in working mode.
- Built with stainless steel and a robust metal casing to ensure long-lasting durability.
- Successfully passed 500,000 aging tests, demonstrating exceptional durability and reliability.
- Supports non-contact operation with a recognition distance of 0 to 15 cm.

Series Overview

The Exit Button serves as a key control component in access control systems. With a simple press or just a hover of your hand, it allows you to exit the area conveniently and securely.

Technical Specification

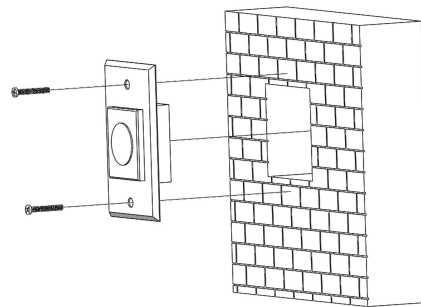
Basic

Casing Material	Stainless steel
Durability Test	Passed 500,000 aging tests.
Contact Output	NO, NC, COM
Operating Voltage	12 VDC
Operating Current	50 mA
Product Dimensions	70 mm × 115 mm × 28 mm (2.76" × 4.53" × 1.10") (H × W × D)
Operating Temperature	-20 °C to +55 °C (-4 °F to +131 °F)
Operating Humidity	0%–95% (RH), non-condensing
Net Weight	0.114 kg (0.25 lb)

Ordering Information

Type	Model	Description
Exit Button	DHI-ASF909-V1	Exit Button

Installation



Dimensions (mm[inch])

